

# INDEX OF DRAWINGS

AlliedSignal Drawing No.	Parsons ES Drawing No.	DRAWING TITLE
435791	G-1	TITLE SHEET
435792	C-1	FINAL SITE PLAN
435793	C-2	CAPPING SYSTEM SUBGRADE PLAN-SURVEY RECORD
435794	C-3	TOP OF COVER SOIL LAYER PLAN-SURVEY RECORD
435795	C-4	FINAL SITE DRAWING-SURVEY RECORD
435796	C-5	CROSS SECTIONS
435797	C-6	CAPPING SYSTEM DETAILS
435798	C-7	GROUNDWATER COLLECTION SYSTEM DETAILS
435799	C-8	GROUNDWATER COLLECTION SYSTEM DETAILS
435800	C-9	TYPICAL EXTRACTION WELL AND OBSERVATION WELL DETAILS
435801	C-10	MISCELLANEOUS DETAILS
435802	C-11	HABITAT DETAILS
435803	C-12	MISCELLANEOUS DETAILS
435804	C-13	MISCELLANEOUS DETAILS
435805	C-14	YARD PIPING DETAILS
435806	E-1	ONE LINE DIAGRAM, INSTALLATION DETAILS AND CONTROL SCHEMATICS
435807	I-1	PROCESS & INSTRUMENTATION LEGEND AND DIAGRAM

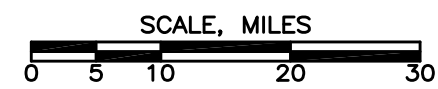
SITE LOCATION MAP



NEW YORK QUADRANGLE LOCATION REFERENCE

USGS 7.5 MINUTE TOPOGRAPHIC QUADRANGLE, BUFFALO SE, NY, DATED 1965. SCALE 1:24000.

SITE VICINITY MAP



NEW YORK QUADRANGLE LOCATION REFERENCE

AAA ROAD ATLAS DATED 1992, NEW YORK (page 82). SCALE: 1" = ~14.8 miles.

# RECORD DRAWINGS REMEDICATION CONSTRUCTION BUFFALO COLOR AREA "D" SITE BUFFALO, NEW YORK Project No. F0119ZA50 - Site No. 9-15-012 PREPARED FOR **AlliedSignal Inc.** **MORRISTOWN, NEW JERSEY**

**RECORD DRAWING**

THESE DRAWINGS HAVE BEEN REVISED TO REFLECT MAJOR CHANGES, IF ANY, WHICH OCCURRED DURING CONSTRUCTION. REVISIONS ARE BASED UPON INFORMATION FURNISHED BY CONTRACTOR.

DATE: \_\_\_\_\_ PER: \_\_\_\_\_

IT IS A VIOLATION OF NEW YORK STATE LAW FOR ANY PERSON, UNLESS ACTING UNDER THE DIRECTION OF A LICENSED PROFESSIONAL ENGINEER, TO ALTER AN ITEM ON THIS DRAWING IN ANY WAY, IF AN ITEM IS ALTERED, THE ALTERING ENGINEER SHALL AFFIX TO THE ITEM HIS SEAL AND THE NOTATION "ALTERED BY" FOLLOWED BY HIS SIGNATURE AND THE DATE OF SUCH ALTERATION, AND A SPECIFIC DESCRIPTION OF THE ALTERATION.

DWG FILE: P:\732980\CAD\RECORD\32980G01.DWG PLOT FACTOR: 1=1

**NOTICE**  
THIS DRAWING, THE PROPERTY OF ALLIEDSIGNAL IS FURNISHED SUBJECT TO RETURN ON DEMAND AND THE CONDITION THAT THE INFORMATION AND TECHNOLOGY EMBODIED HEREIN SHALL NOT BE DISCLOSED OR USED AND THE DRAWING SHALL NOT BE REPRODUCED OR COPIED IN WHOLE OR IN PART EXCEPT AS PREVIOUSLY AUTHORIZED IN WRITING. ANY PERSON WHO MAY RECEIVE OR OBSERVE THIS DESIGN WILL BE HELD STRICTLY LIABLE FOR ANY VIOLATION WHETHER WILLFUL OR NEGLIGENT.

**PARSONS ENGINEERING SCIENCE, INC.**

BUFFALO, N.Y.  
(716) 633-7074

REV. NO.	APPROVED FOR SAFETY
	DATE _____
	DATE _____
	DATE _____
	DATE _____
	DATE _____
	DATE _____

NO.	REVISION	BY	APPR.	APPR.	APPR.	APPR.	DATE	REFERENCE	DWG. NO.	APPROVALS	DATE
1	RECORD DRAWING										
0	ISSUED FOR CONSTRUCTION	EWM					5/11/98				

JOB NO. _____
BLDG/AREA _____
APP. NO. _____
SCALE _____



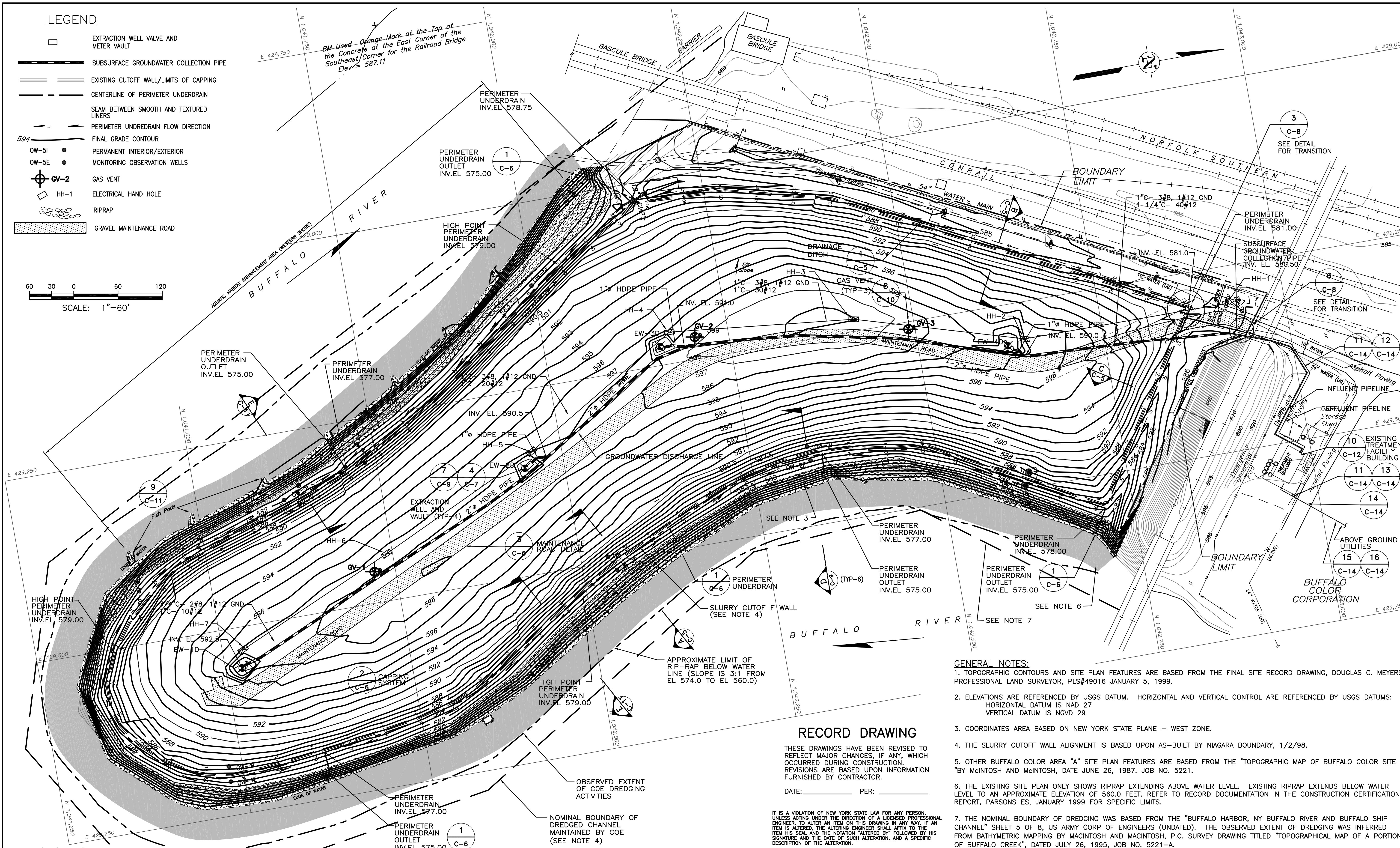
DRWN	DATE	CHK.	DATE
G-1		435791	

TITLE SHEET

**LEGEND**

- EXTRACTION WELL VALVE AND METER VAULT
- SUBSURFACE GROUNDWATER COLLECTION PIPE
- EXISTING CUTOFF WALL/LIMITS OF CAPPING
- CENTERLINE OF PERIMETER UNDERDRAIN
- SEAM BETWEEN SMOOTH AND TEXTURED LINERS
- PERIMETER UNDERDRAIN FLOW DIRECTION
- FINAL GRADE CONTOUR
- PERMANENT INTERIOR/EXTERIOR
- MONITORING OBSERVATION WELLS
- GAS VENT
- ELECTRICAL HAND HOLE
- RIPRAP
- GRAVEL MAINTENANCE ROAD

60 30 0 60 120  
SCALE: 1"=60'



**GENERAL NOTES:**

1. TOPOGRAPHIC CONTOURS AND SITE PLAN FEATURES ARE BASED FROM THE FINAL SITE RECORD DRAWING, DOUGLAS C. MEYERS PROFESSIONAL LAND SURVEYOR, PLS#49016 JANUARY 5, 1999.
2. ELEVATIONS ARE REFERENCED BY USGS DATUM. HORIZONTAL DATUM IS NAD 27 VERTICAL DATUM IS NGVD 29
3. COORDINATES AREA BASED ON NEW YORK STATE PLANE - WEST ZONE.
4. THE SLURRY CUTOFF WALL ALIGNMENT IS BASED UPON AS-BUILT BY NIAGARA BOUNDARY, 1/2/98.
5. OTHER BUFFALO COLOR AREA "A" SITE PLAN FEATURES ARE BASED FROM THE "TOPOGRAPHIC MAP OF BUFFALO COLOR SITE" BY McINTOSH AND McINTOSH, DATE JUNE 26, 1987. JOB NO. 5221.
6. THE EXISTING SITE PLAN ONLY SHOWS RIPRAP EXTENDING ABOVE WATER LEVEL. EXISTING RIPRAP EXTENDS BELOW WATER LEVEL TO AN APPROXIMATE ELEVATION OF 560.0 FEET. REFER TO RECORD DOCUMENTATION IN THE CONSTRUCTION CERTIFICATION REPORT, PARSONS ES, JANUARY 1999 FOR SPECIFIC LIMITS.
7. THE NOMINAL BOUNDARY OF DREDGING WAS BASED FROM THE "BUFFALO HARBOR, NY BUFFALO RIVER AND BUFFALO SHIP CHANNEL" SHEET 5 OF 8, US ARMY CORP OF ENGINEERS (UNDATED). THE OBSERVED EXTENT OF DREDGING WAS INFERRED FROM BATHYMETRIC MAPPING BY MACINTOSH AND MACINTOSH, P.C. SURVEY DRAWING TITLED "TOPOGRAPHICAL MAP OF A PORTION OF BUFFALO CREEK", DATED JULY 26, 1995, JOB NO. 5221-A.

**RECORD DRAWING**

THESE DRAWINGS HAVE BEEN REVISED TO REFLECT MAJOR CHANGES, IF ANY, WHICH OCCURRED DURING CONSTRUCTION. REVISIONS ARE BASED UPON INFORMATION FURNISHED BY CONTRACTOR.

DATE: \_\_\_\_\_ PER: \_\_\_\_\_

IT IS A VIOLATION OF NEW YORK STATE LAW FOR ANY PERSON, UNLESS ACTING UNDER THE DIRECTION OF A LICENSED PROFESSIONAL ENGINEER, TO ALTER AN ITEM ON THIS DRAWING IN ANY WAY. IF AN ITEM IS ALTERED, THE ALTERING ENGINEER SHALL AFFIX TO THE ITEM HIS SEAL AND THE NOTATION "ALTERED BY" FOLLOWED BY HIS SIGNATURE AND THE DATE OF SUCH ALTERATION, AND A SPECIFIC DESCRIPTION OF THE ALTERATION.

DWG FILE: P:\CAD\732980\BODR\32980C01.DWG PLOT FACTOR: 1=60

**NOTICE**  
THIS DRAWING, THE PROPERTY OF ALLIEDSIGNAL IS FURNISHED SUBJECT TO RETURN ON DEMAND AND THE CONDITION THAT THE INFORMATION AND TECHNOLOGY EMBODIED HEREIN SHALL NOT BE REPRODUCED OR USED IN WHOLE OR IN PART EXCEPT AS PREVIOUSLY AUTHORIZED IN WRITING. ANY PERSON WHO MAY RECEIVE OR OBSERVE THIS DESIGN WILL BE HELD STRICTLY LIABLE FOR ANY VIOLATION WHETHER WILLFUL OR NEGLIGENT.

**PARSONS ENGINEERING SCIENCE, INC.**  
BUFFALO, N.Y.  
(716) 633-7074

APPROVED FOR SAFETY

REV. NO.	DATE

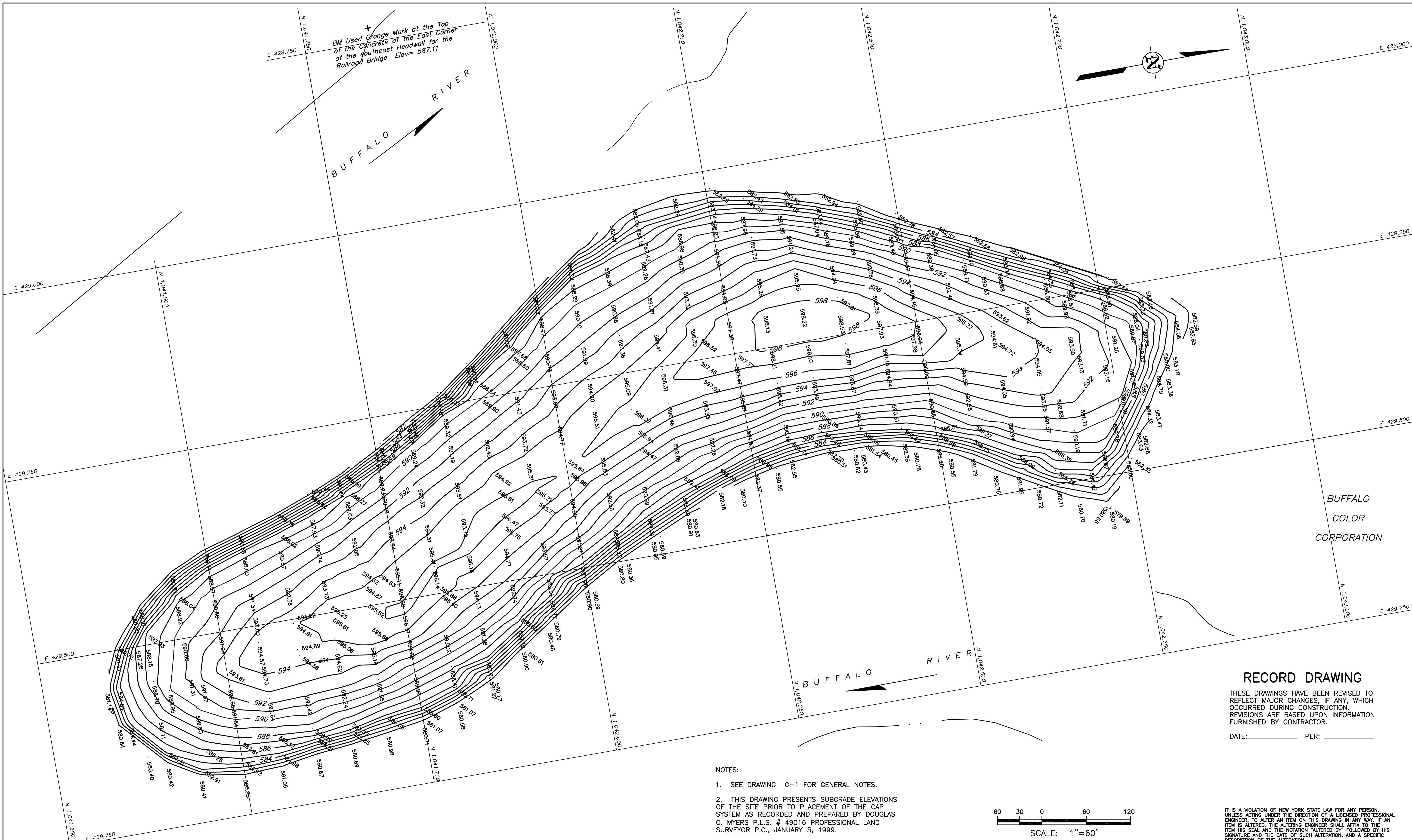
NO.	REVISION	BY	APPR.	APPR.	APPR.	APPR.	DATE	REFERENCE
1	RECORD DRAWING	EWM						
0	ISSUED FOR CONSTRUCTION	EWM						

DWG. NO.	APPROVALS	DATE

JOB NO. 732980  
BLDG/AREA  
APP. NO.  
SCALE: 1" = 60'

**AlliedSignal**

JTS DRAWN DATE CHK. DATE  
MORRISTOWN, NJ  
C-1435795



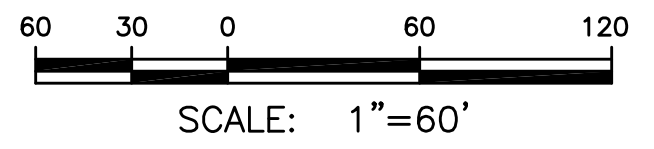
BUFFALO  
COLOR  
CORPORATION

**RECORD DRAWING**

THESE DRAWINGS HAVE BEEN REVISED TO REFLECT MAJOR CHANGES, IF ANY, WHICH OCCURRED DURING CONSTRUCTION. REVISIONS ARE BASED UPON INFORMATION FURNISHED BY CONTRACTOR.

DATE: \_\_\_\_\_ PER: \_\_\_\_\_

- NOTES:
1. SEE DRAWING C-1 FOR GENERAL NOTES.
  2. THIS DRAWING PRESENTS SUBGRADE ELEVATIONS OF THE SITE PRIOR TO PLACEMENT OF THE CAP SYSTEM AS RECORDED AND PREPARED BY DOUGLAS C. MYERS P.L.S. # 49016 PROFESSIONAL LAND SURVEYOR P.C., JANUARY 5, 1999.



IT IS A VIOLATION OF NEW YORK STATE LAW FOR ANY PERSON, UNLESS ACTING UNDER THE DIRECTION OF A LICENSED PROFESSIONAL ENGINEER, TO ALTER AN ITEM ON THIS DRAWING IN ANY WAY. IF AN ITEM IS ALTERED, THE ALTERING ENGINEER SHALL AFFIX TO THE ITEM HIS SEAL AND THE NOTATION "ALTERED BY" FOLLOWED BY HIS SIGNATURE AND THE DATE OF SUCH ALTERATION, AND A SPECIFIC DESCRIPTION OF THE ALTERATION.

DWG FILE: P:\CAD\732980\RECORD\32980C02.DWG PLOT FACTOR: 1=60, 1/19/99 (JTS)

**NOTICE**  
THIS DRAWING, THE PROPERTY OF ALLIEDSIGNAL IS FURNISHED SUBJECT TO RETURN ON DEMAND AND THE CONDITION THAT THE INFORMATION AND TECHNOLOGY EMBODIED HEREIN SHALL NOT BE DISCLOSED OR USED AND THE DRAWING SHALL NOT BE REPRODUCED OR COPIED IN WHOLE OR IN PART EXCEPT AS PREVIOUSLY AUTHORIZED IN WRITING. ANY PERSON WHO MAY RECEIVE OR OBSERVE THIS DESIGN WILL BE HELD STRICTLY LIABLE FOR ANY VIOLATION WHETHER WILLFUL OR NEGLIGENT.

**PARSONS ENGINEERING SCIENCE, INC.**  
BUFFALO, N.Y.  
(716) 633-7074

REV. NO.	APPROVED FOR SAFETY
	DATE _____
	DATE _____
	DATE _____
	DATE _____
	DATE _____

NO.	REVISION	BY	APPR.	APPR.	APPR.	APPR.	DATE	REFERENCE
1	RECORD DRAWING	EWM						
0	ISSUED FOR CONSTRUCTION	EWM						

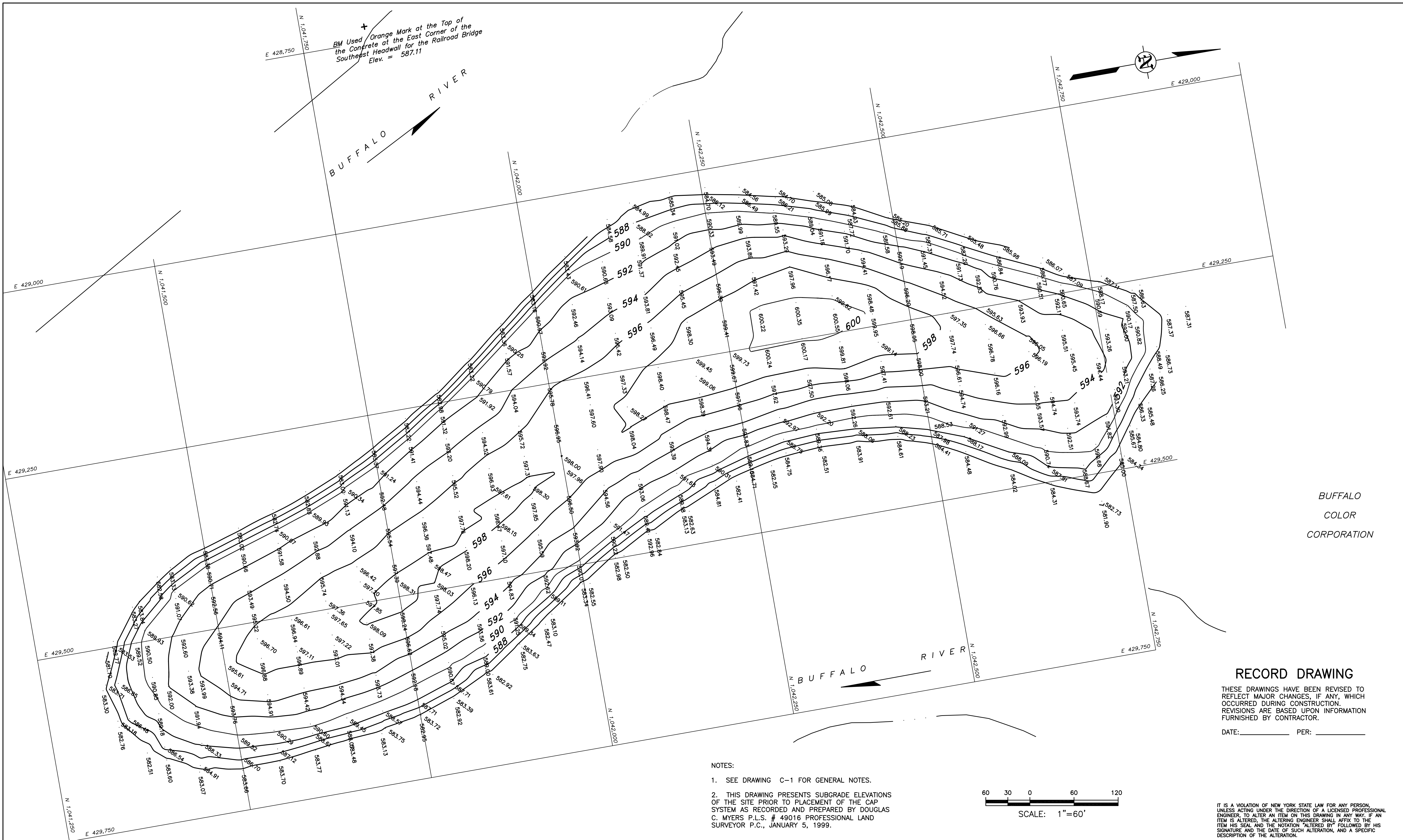
DWG. NO.	APPROVALS	DATE

JOB NO. 732980
BLDG./AREA
APP. NO.
SCALE 1" = 60'
EQUIP. NO.
INV. NO.

CAPPING SYSTEM SUBGRADE PLAN SURVEY RECORD			
JTS	DATE	CHK.	DATE

ALLIEDSIGNAL  
MORRISTOWN, NJ

C-2 435793



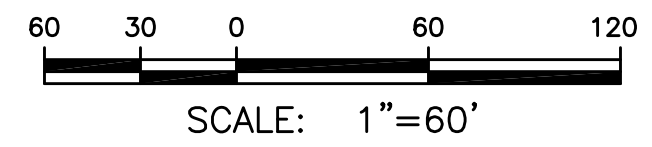
BUFFALO  
COLOR  
CORPORATION

**RECORD DRAWING**

THESE DRAWINGS HAVE BEEN REVISED TO REFLECT MAJOR CHANGES, IF ANY, WHICH OCCURRED DURING CONSTRUCTION. REVISIONS ARE BASED UPON INFORMATION FURNISHED BY CONTRACTOR.

DATE: \_\_\_\_\_ PER: \_\_\_\_\_

- NOTES:
- SEE DRAWING C-1 FOR GENERAL NOTES.
  - THIS DRAWING PRESENTS SUBGRADE ELEVATIONS OF THE SITE PRIOR TO PLACEMENT OF THE CAP SYSTEM AS RECORDED AND PREPARED BY DOUGLAS C. MYERS P.L.S. # 49016 PROFESSIONAL LAND SURVEYOR P.C., JANUARY 5, 1999.



IT IS A VIOLATION OF NEW YORK STATE LAW FOR ANY PERSON, UNLESS ACTING UNDER THE DIRECTION OF A LICENSED PROFESSIONAL ENGINEER, TO ALTER AN ITEM ON THIS DRAWING IN ANY WAY. IF AN ITEM IS ALTERED, THE ALTERING ENGINEER SHALL AFFIX TO THE ITEM HIS SEAL AND THE NOTATION "ALTERED BY" FOLLOWED BY HIS SIGNATURE AND THE DATE OF SUCH ALTERATION, AND A SPECIFIC DESCRIPTION OF THE ALTERATION.

DWG FILE: P:\CAD\732980\32980C02.DWG

PLOT FACTOR: 1=60, 1/19/99 (JTS)

**NOTICE**  
THIS DRAWING, THE PROPERTY OF ALLIEDSIGNAL IS FURNISHED SUBJECT TO RETURN ON DEMAND AND THE CONDITION THAT THE INFORMATION AND TECHNOLOGY EMBODIED HEREIN SHALL NOT BE DISCLOSED OR USED AND THE DRAWING SHALL NOT BE REPRODUCED OR COPIED IN WHOLE OR IN PART EXCEPT AS PREVIOUSLY AUTHORIZED IN WRITING. ANY PERSON WHO MAY RECEIVE OR OBSERVE THIS DESIGN WILL BE HELD STRICTLY LIABLE FOR ANY VIOLATION WHETHER WILLFUL OR NEGLIGENT.

**PARSONS ENGINEERING SCIENCE, INC.**  
BUFFALO, N.Y.  
(716) 633-7074

REV. NO.	APPROVED FOR SAFETY
	DATE _____
	DATE _____
	DATE _____
	DATE _____
	DATE _____

NO.	REVISION	BY	APPR.	APPR.	APPR.	APPR.	DATE	REFERENCE
1	RECORD DRAWING	EWM						
0	ISSUED FOR CONSTRUCTION	EWM						

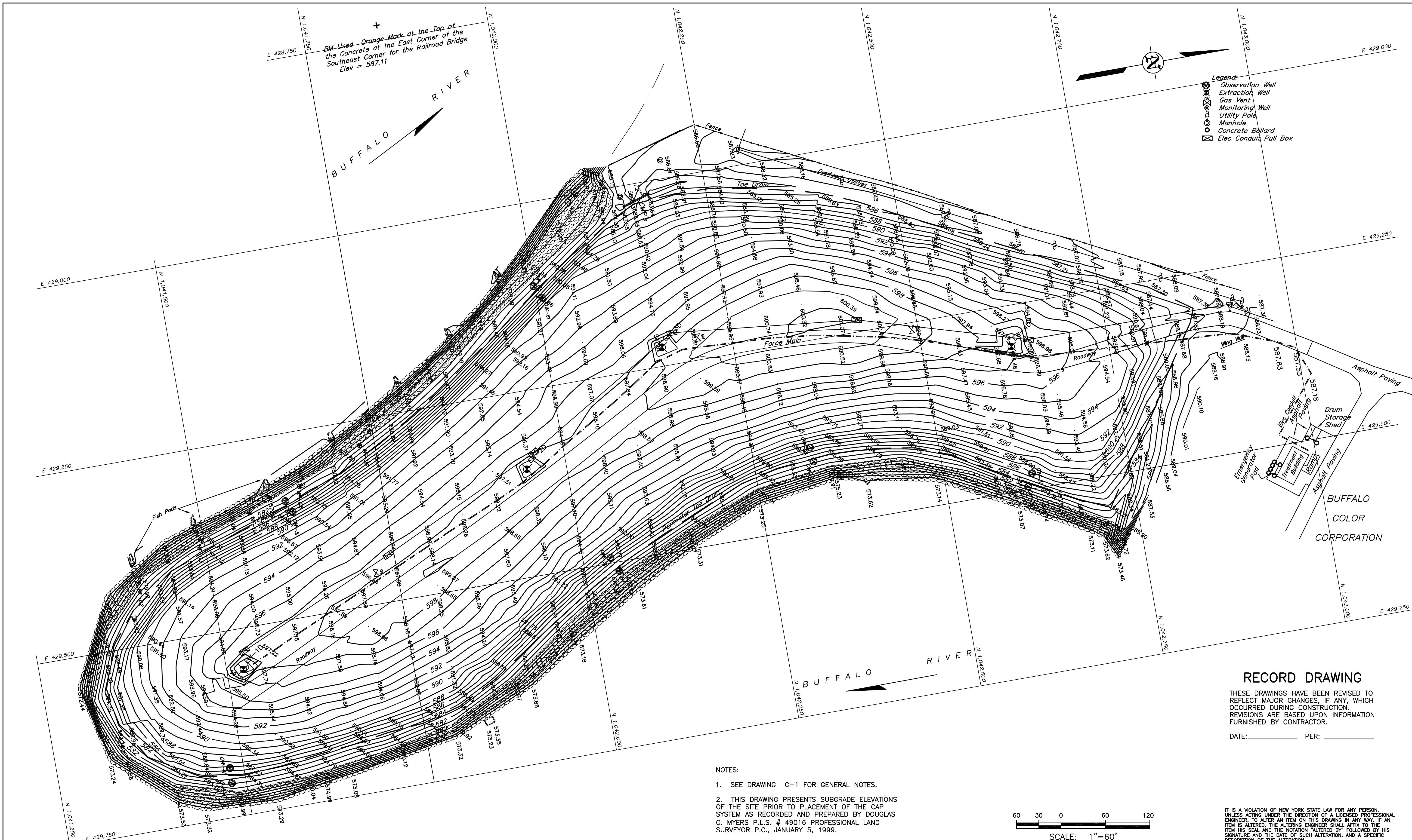
DWG. NO.	APPROVALS	DATE
EQUIP. NO.		
INV. NO.		

JOB NO. 732980
BLDG./AREA
APP. NO.
SCALE 1" = 60'

TOP OF COVER SOIL LAYER PLAN  
SURVEY RECORD



JTS	DATE	CHK.	DATE
DRAWN			
C-3 435794			



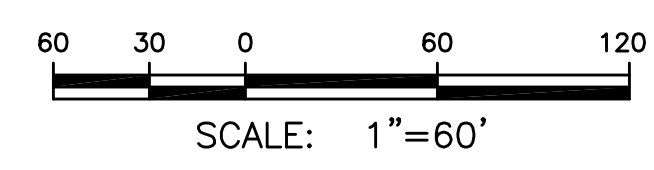
BM Used - Orange Mark at the Top of the Concrete at the East Corner of the Railroad Bridge  
Southeast Corner for the Railroad Bridge  
Elev = 587.11

**RECORD DRAWING**

THESE DRAWINGS HAVE BEEN REVISED TO REFLECT MAJOR CHANGES, IF ANY, WHICH OCCURRED DURING CONSTRUCTION. REVISIONS ARE BASED UPON INFORMATION FURNISHED BY CONTRACTOR.

DATE: \_\_\_\_\_ PER: \_\_\_\_\_

- NOTES:
- SEE DRAWING C-1 FOR GENERAL NOTES.
  - THIS DRAWING PRESENTS SUBGRADE ELEVATIONS OF THE SITE PRIOR TO PLACEMENT OF THE CAP SYSTEM AS RECORDED AND PREPARED BY DOUGLAS C. MYERS P.L.S. # 49016 PROFESSIONAL LAND SURVEYOR P.C., JANUARY 5, 1999.



IT IS A VIOLATION OF NEW YORK STATE LAW FOR ANY PERSON, UNLESS ACTING UNDER THE DIRECTION OF A LICENSED PROFESSIONAL ENGINEER, TO ALTER AN ITEM ON THIS DRAWING IN ANY WAY. IF AN ITEM IS ALTERED, THE ALTERING ENGINEER SHALL AFFIX TO THE ITEM HIS SEAL AND THE NOTATION "ALTERED BY" FOLLOWED BY HIS SIGNATURE AND THE DATE OF SUCH ALTERATION, AND A SPECIFIC DESCRIPTION OF THE ALTERATION.

DWG FILE: P:\CAD\732980\32980C02.DWG PLOT FACTOR: 1=60, 1/19/99 (JTS)

**NOTICE**  
THIS DRAWING, THE PROPERTY OF ALLIEDSIGNAL IS FURNISHED SUBJECT TO RETURN ON DEMAND AND THE CONDITION THAT THE INFORMATION AND TECHNOLOGY EMBODIED HEREIN SHALL NOT BE DISCLOSED OR USED IN WHOLE OR IN PART EXCEPT AS PREVIOUSLY AUTHORIZED IN WRITING. ANY PERSON WHO MAY RECEIVE OR OBSERVE THIS DESIGN WILL BE HELD STRICTLY LIABLE FOR ANY VIOLATION WHETHER WILLFUL OR NEGLIGENT.

**PARSONS ENGINEERING SCIENCE, INC.**  
BUFFALO, N.Y.  
(716) 633-7074

**APPROVED FOR SAFETY**  
REV. NO. \_\_\_\_\_ DATE \_\_\_\_\_  
DATE \_\_\_\_\_  
DATE \_\_\_\_\_  
DATE \_\_\_\_\_  
DATE \_\_\_\_\_

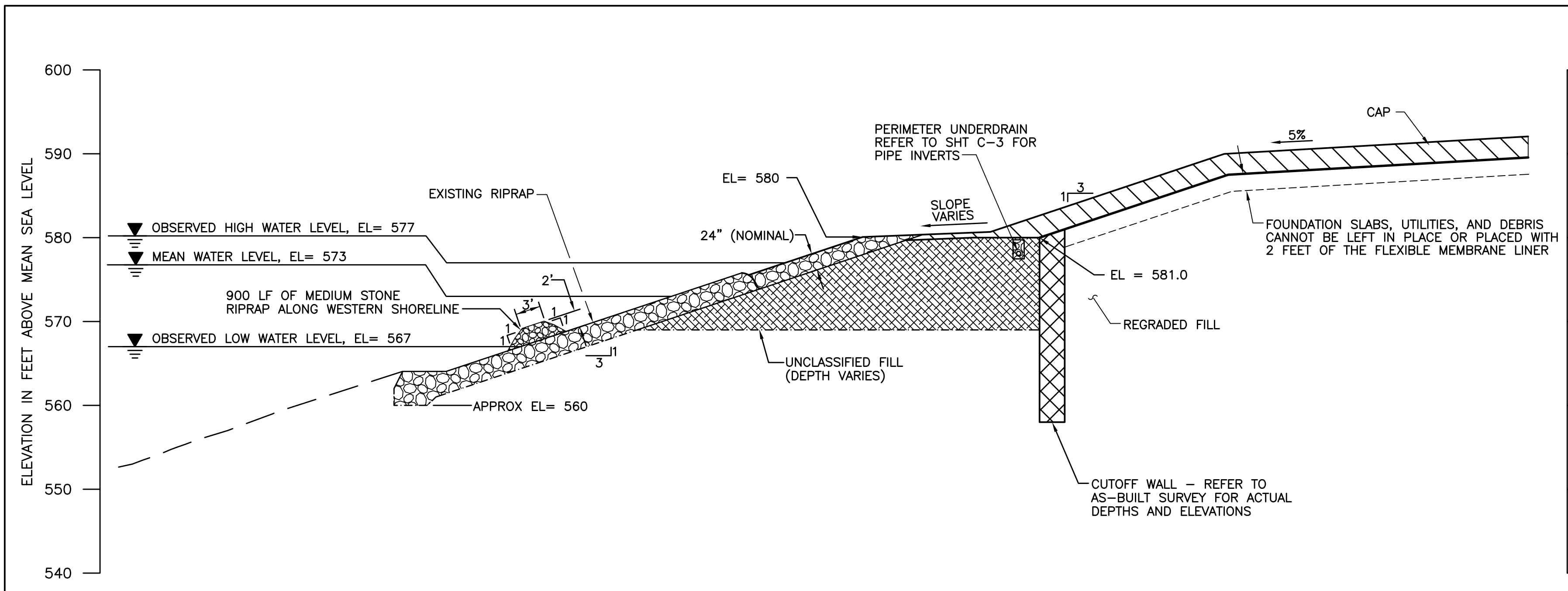
NO.	REVISION	BY	APPR.	APPR.	APPR.	APPR.	DATE	REFERENCE	DWG. NO.	APPROVALS	DATE
1	RECORD DRAWING	EWM									
0	ISSUED FOR CONSTRUCTION	EWM									

JOB NO. 732980		DATE		CHK.		DATE	
BLDG/AREA		DATE		CHK.		DATE	
APP. NO.		DATE		CHK.		DATE	
SCALE 1" = 60'		DATE		CHK.		DATE	
EQUIP. NO.		DATE		CHK.		DATE	
INV. NO.		DATE		CHK.		DATE	

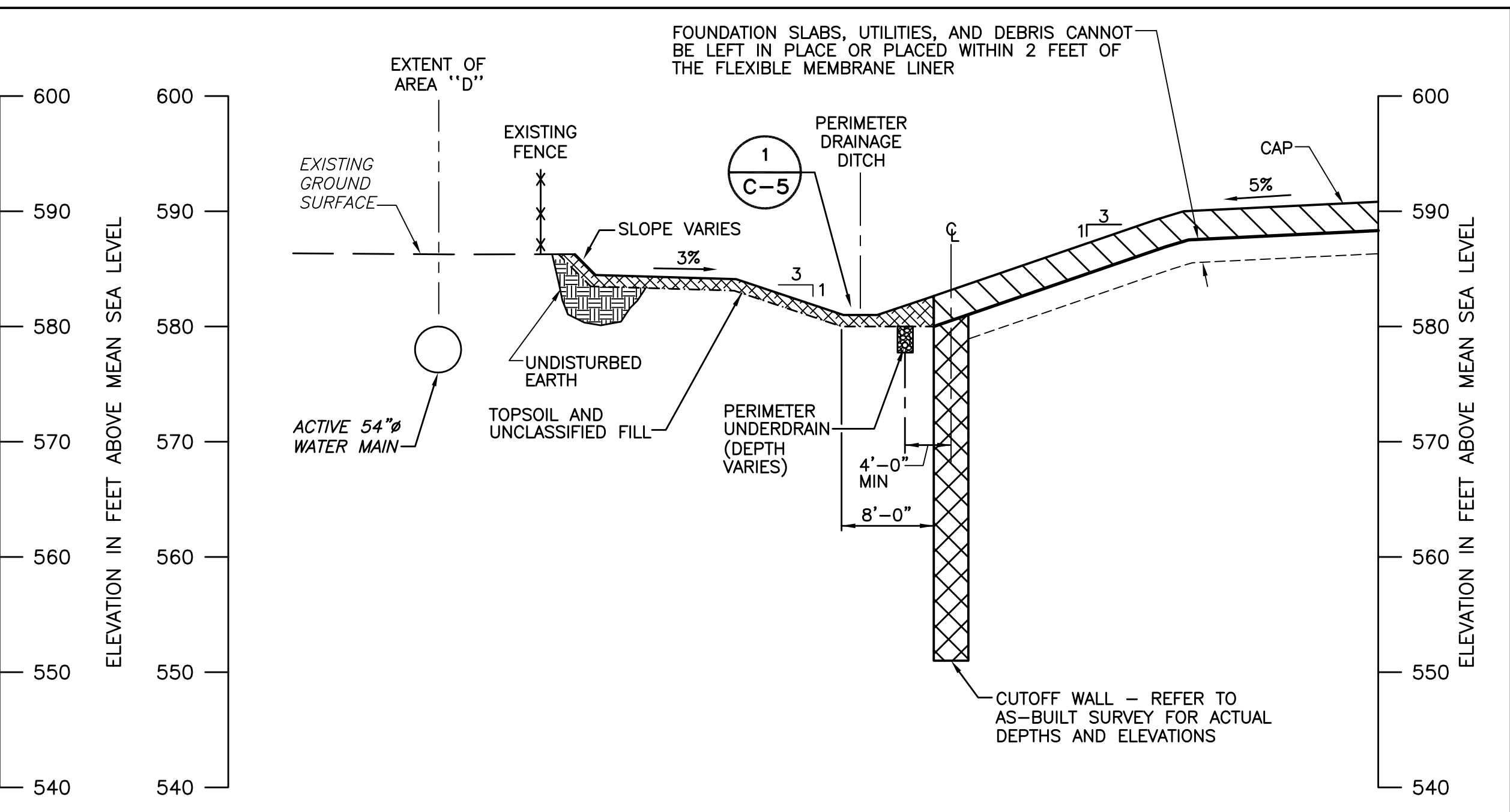
**AlliedSignal**  
MORRISTOWN, NJ

FINAL SITE DRAWING  
SURVEY RECORD

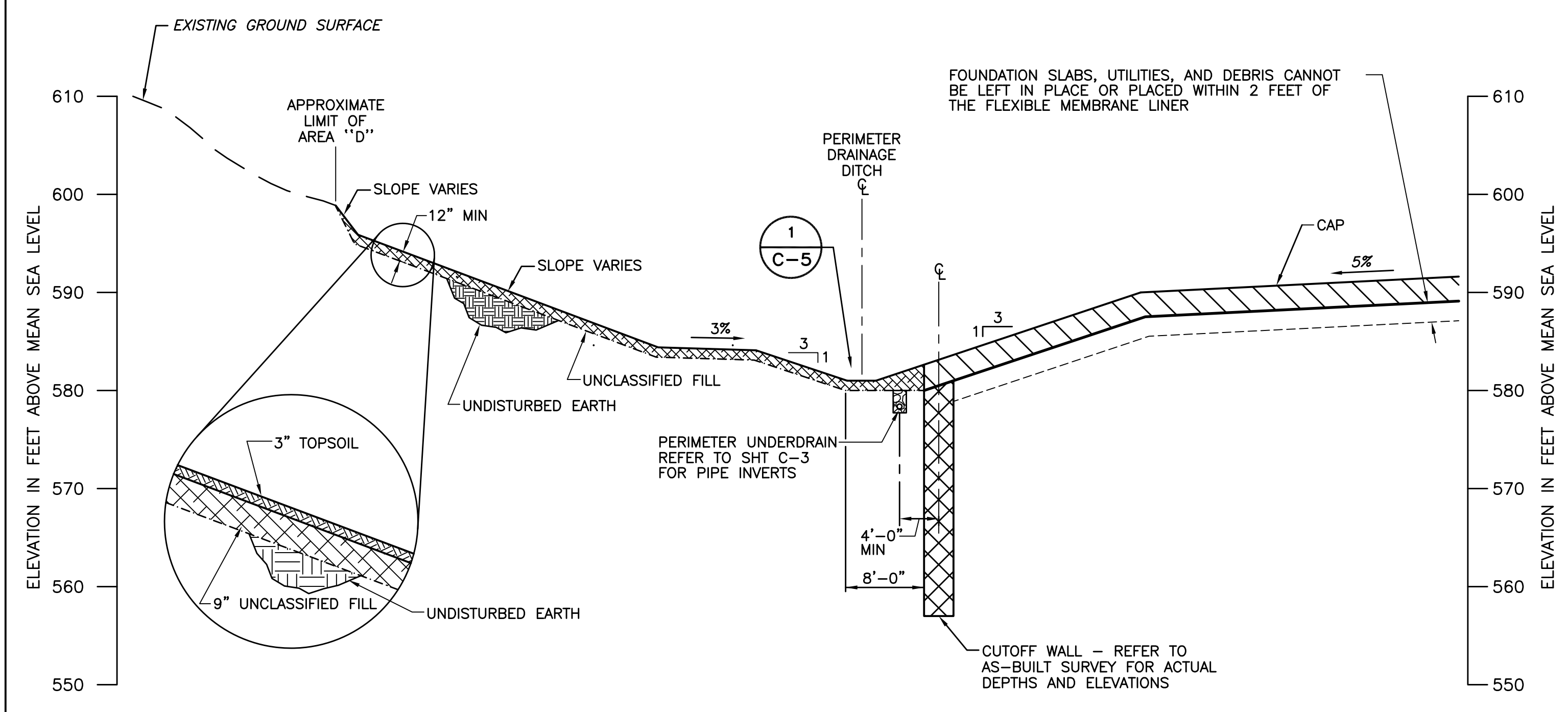
JTS  
DRAWN  
DATE  
CHK.  
DATE  
C-4 435795



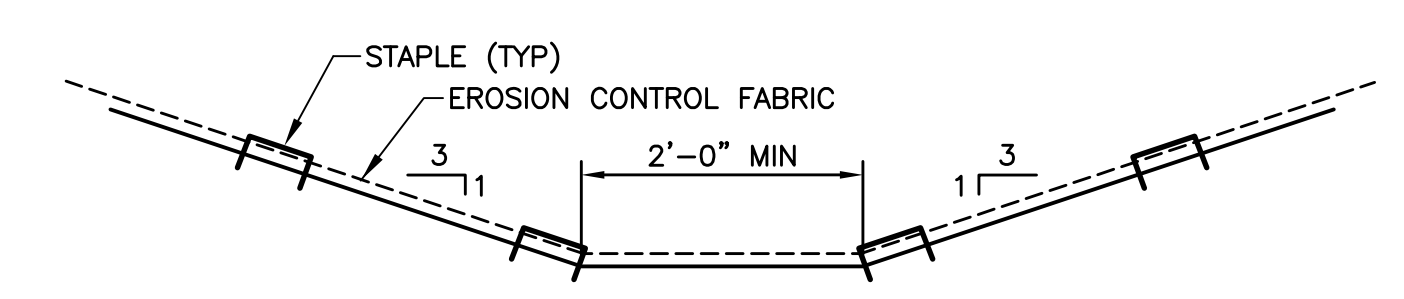
**A**  
C-1  
**TYPICAL SHORELINE SECTION**  
SCALE: 1" = 10'



**B**  
C-1  
**TYPICAL SECTION ALONG WESTERN PROPERTY BOUNDARY**  
SCALE: 1" = 10'

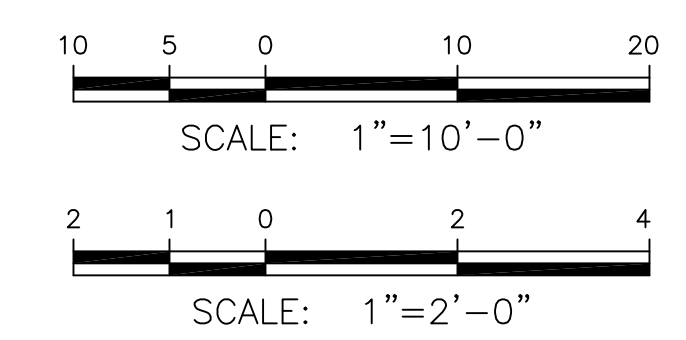


**C**  
C-1  
**TYPICAL SECTION ADJACENT TO RAILROAD EMBANKMENT**  
SCALE: 1" = 10'



**1**  
C-5  
**DRAINAGE DITCH DETAIL**  
SCALE: 1" = 2'-0"

- NOTES:**
- REFER TO DRAWING C-1 FOR GENERAL NOTES
  - ELEVATIONS ARE REFERENCED BY USGS DATUM
  - DEPTH OF UNCLASSIFIED FILL AND DEPTH OF CUTOFF WALL ARE PROVIDED FOR ILLUSTRATION ONLY AND ARE NOT NECESSARILY REPRESENTATIVE OF THICKNESS OR DEPTH



**RECORD DRAWING**

THESE DRAWINGS HAVE BEEN REVISED TO REFLECT MAJOR CHANGES, IF ANY, WHICH OCCURRED DURING CONSTRUCTION. REVISIONS ARE BASED UPON INFORMATION FURNISHED BY CONTRACTOR.

DATE: \_\_\_\_\_ PER: \_\_\_\_\_

**NOTE:**  
IT IS A VIOLATION OF NEW YORK STATE LAW FOR ANY PERSON, UNLESS ACTING UNDER THE DIRECTION OF A LICENSED PROFESSIONAL ENGINEER, TO ALTER AN ITEM ON THIS DRAWING IN ANY WAY. IF AN ITEM IS ALTERED, THE ALTERING ENGINEER SHALL AFFIX TO THE ITEM HIS SEAL AND THE NOTATION "ALTERED BY" FOLLOWED BY HIS SIGNATURE AND THE DATE OF SUCH ALTERATION, AND A SPECIFIC DESCRIPTION OF THE ALTERATION.

DWG FILE: P:\732980\CAD\RECORD\32980C05.DWG PLOT FACTOR: 1=1

NOTICE  
THIS DRAWING, THE PROPERTY OF ALLIEDSIGNAL IS FURNISHED SUBJECT TO RETURN ON DEMAND AND THE CONDITION THAT THE INFORMATION AND TECHNOLOGY EMBODIED HEREIN SHALL NOT BE DISCLOSED OR USED AND THE DRAWING SHALL NOT BE REPRODUCED OR COPIED IN WHOLE OR IN PART EXCEPT AS PREVIOUSLY AUTHORIZED IN WRITING. ANY PERSON WHO MAY RECEIVE OR OBSERVE THIS DESIGN WILL BE HELD STRICTLY LIABLE FOR ANY VIOLATION WHETHER WILLFUL OR NEGLIGENT.

**PARSONS ENGINEERING SCIENCE, INC.**

REV. NO.	APPROVED FOR SAFETY
	DATE
	DATE
	DATE
	DATE
	DATE

NO.	REVISION	BY	APPR.	APPR.	APPR.	APPR.	DATE
1	RECORD DRAWING						
0	ISSUED FOR CONSTRUCTION	EWM					5/11/98

REFERENCE	DWG. NO.	APPROVALS	DATE

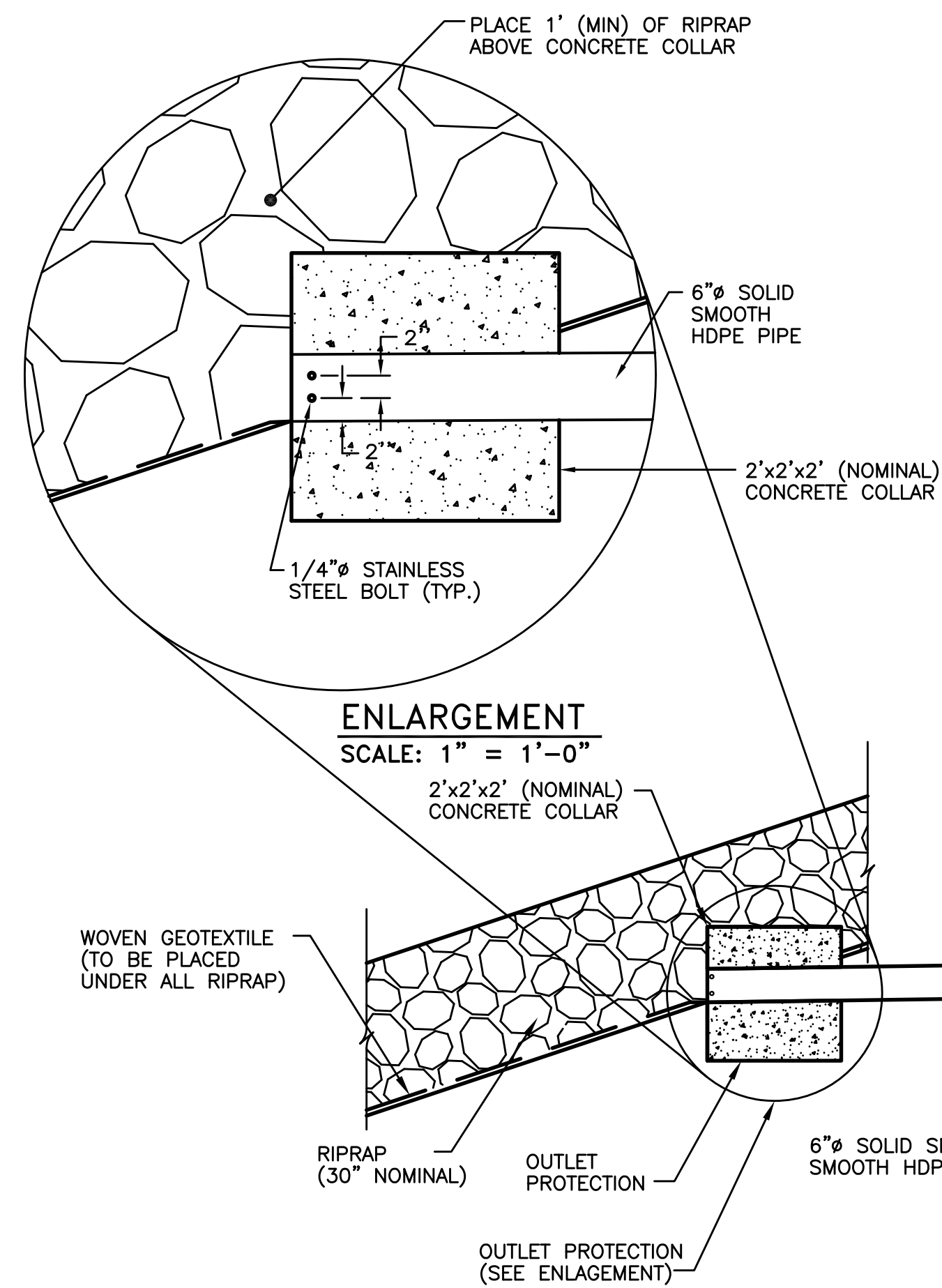
JOB NO.	
BLDG/AREA	
APP. NO.	
SCALE	

<b>CROSS SECTIONS</b>			

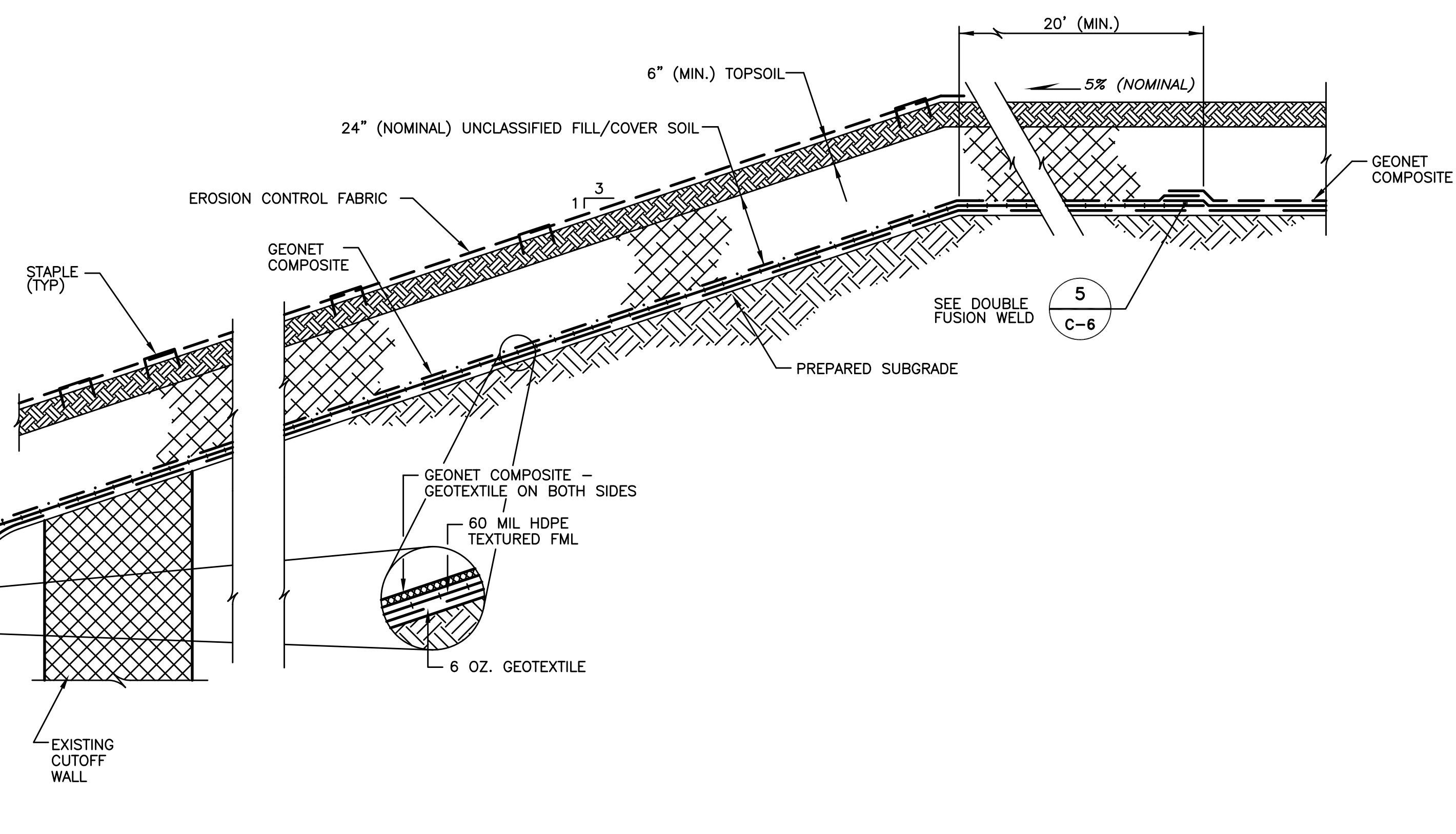


DRAWN	DATE	CHK.	DATE

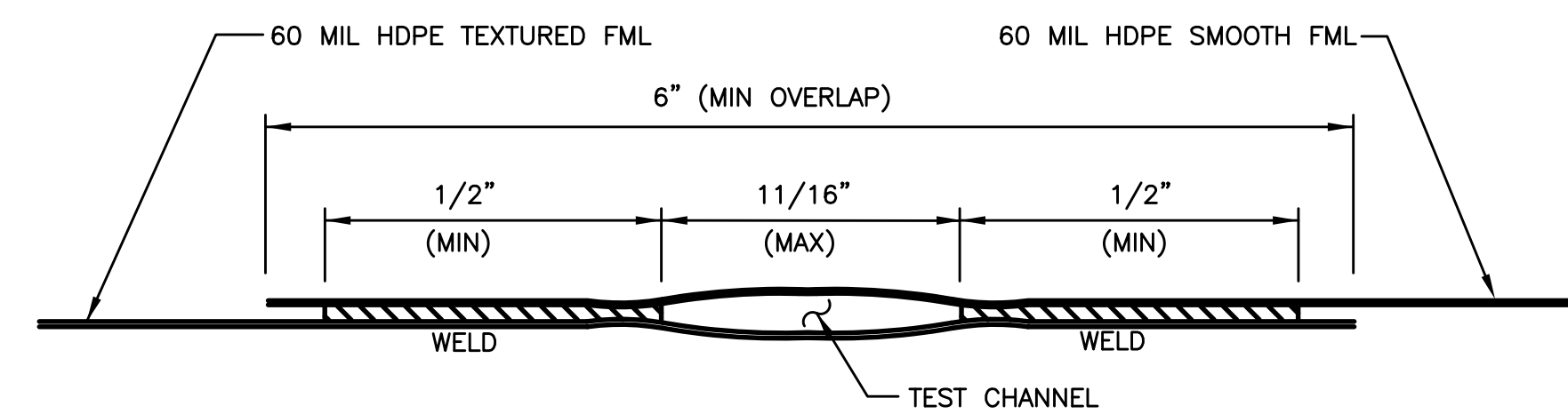
MORRISTOWN, NJ  
C-5 435796



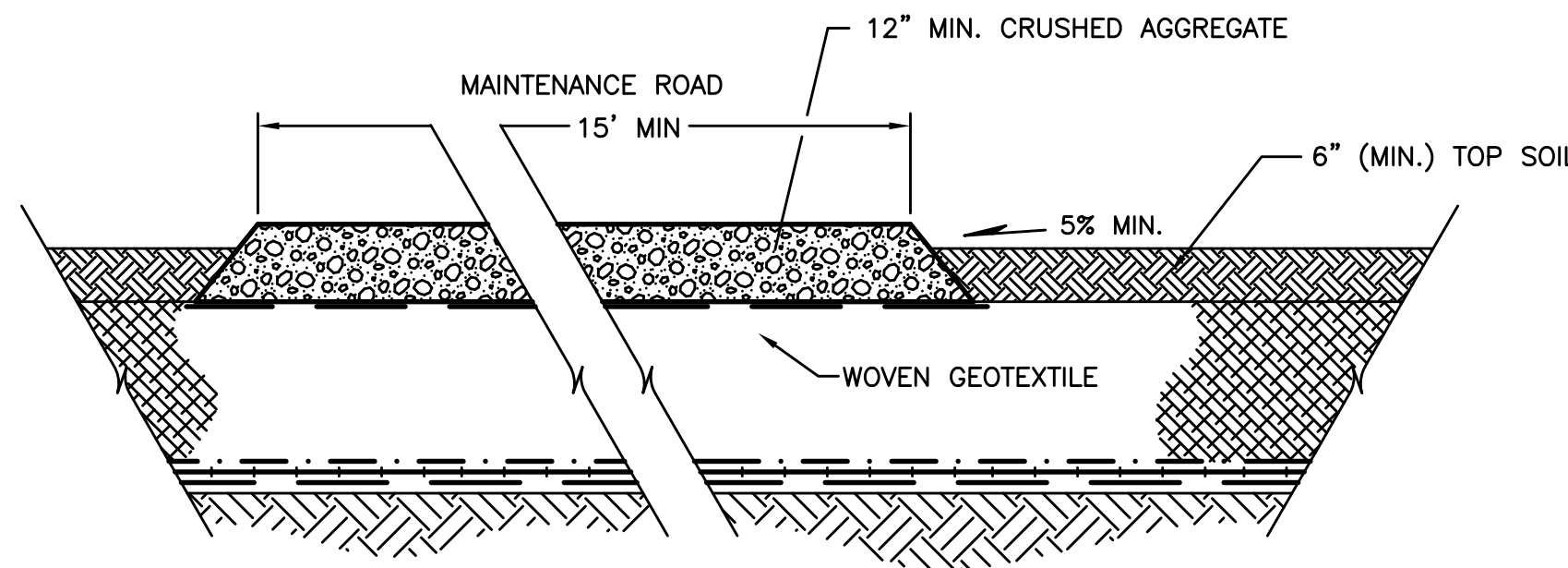
1 PERIMETER UNDERDRAIN DETAIL  
SCALE: 1/2" = 1'-0"



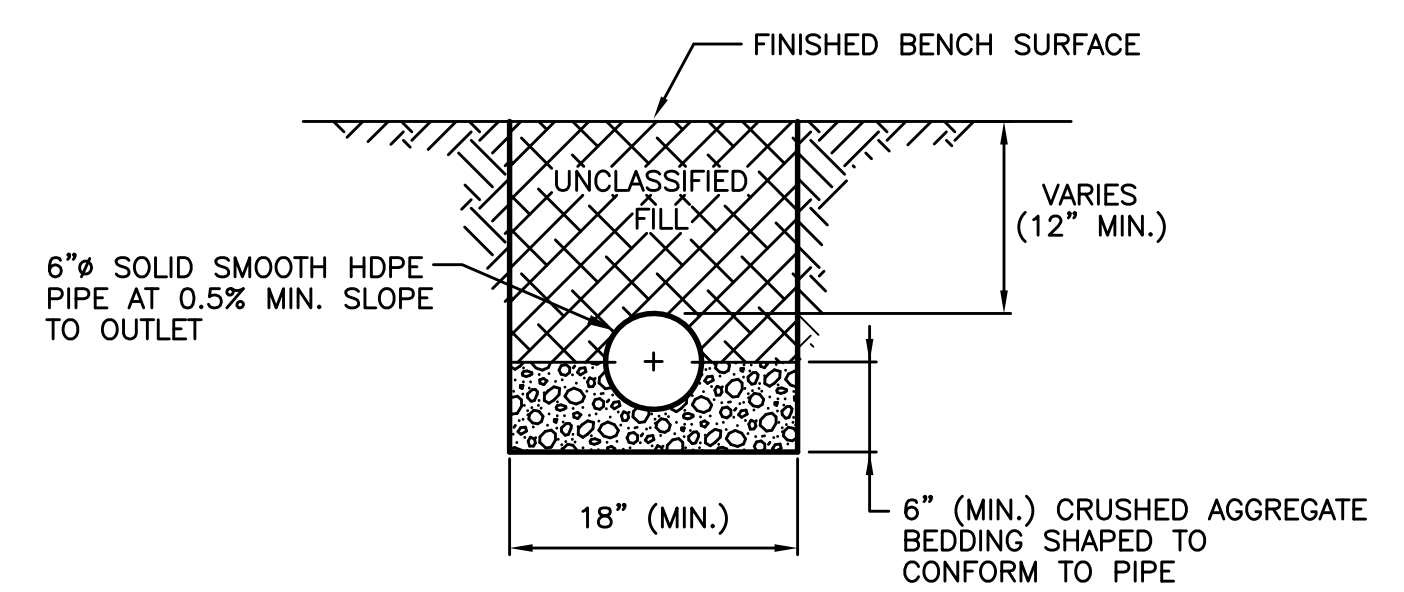
2 CAPPING SYSTEM DETAIL  
SCALE: 1/2" = 1'-0"



5 DOUBLE FUSION WELD DETAIL (TYP)  
SCALE: NOT TO SCALE



3 MAINTENANCE ROAD DETAIL  
SCALE: 1/2" = 1'-0"

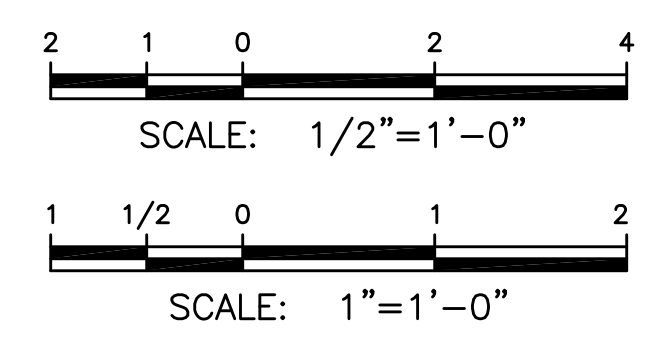


A PERIMETER DRAIN OUTLET SECTION  
SCALE: 1" = 1'-0"

RECORD DRAWING

THESE DRAWINGS HAVE BEEN REVISED TO REFLECT MAJOR CHANGES, IF ANY, WHICH OCCURRED DURING CONSTRUCTION. REVISIONS ARE BASED UPON INFORMATION FURNISHED BY CONTRACTOR.

DATE: \_\_\_\_\_ PER: \_\_\_\_\_



NOTE: IT IS A VIOLATION OF NEW YORK STATE LAW FOR ANY PERSON, UNLESS ACTING UNDER THE DIRECTION OF A LICENSED PROFESSIONAL ENGINEER, TO ALTER AN ITEM ON THIS DRAWING IN ANY WAY. IF AN ITEM IS ALTERED, THE ALTERING ENGINEER SHALL AFFIX TO THE ITEM HIS SEAL AND THE NOTATION "ALTERED BY" FOLLOWED BY HIS SIGNATURE AND THE DATE OF SUCH ALTERATION, AND A SPECIFIC DESCRIPTION OF THE ALTERATION.

DWG FILE: P:\732980\CAD\RECORD\32980C06.DWG PLOT FACTOR: 1=1

NOTICE  
THIS DRAWING, THE PROPERTY OF ALLIEDSIGNAL IS FURNISHED SUBJECT TO RETURN ON DEMAND AND THE CONDITION THAT THE INFORMATION AND TECHNOLOGY EMBODIED HEREIN SHALL NOT BE DISCLOSED OR USED IN WHOLE OR IN PART EXCEPT AS PREVIOUSLY AUTHORIZED IN WRITING. ANY PERSON WHO MAY RECEIVE OR OBSERVE THIS DESIGN WILL BE HELD STRICTLY LIABLE FOR ANY VIOLATION WHETHER WILLFUL OR NEGLIGENT.

**PARSONS ENGINEERING SCIENCE, INC.**

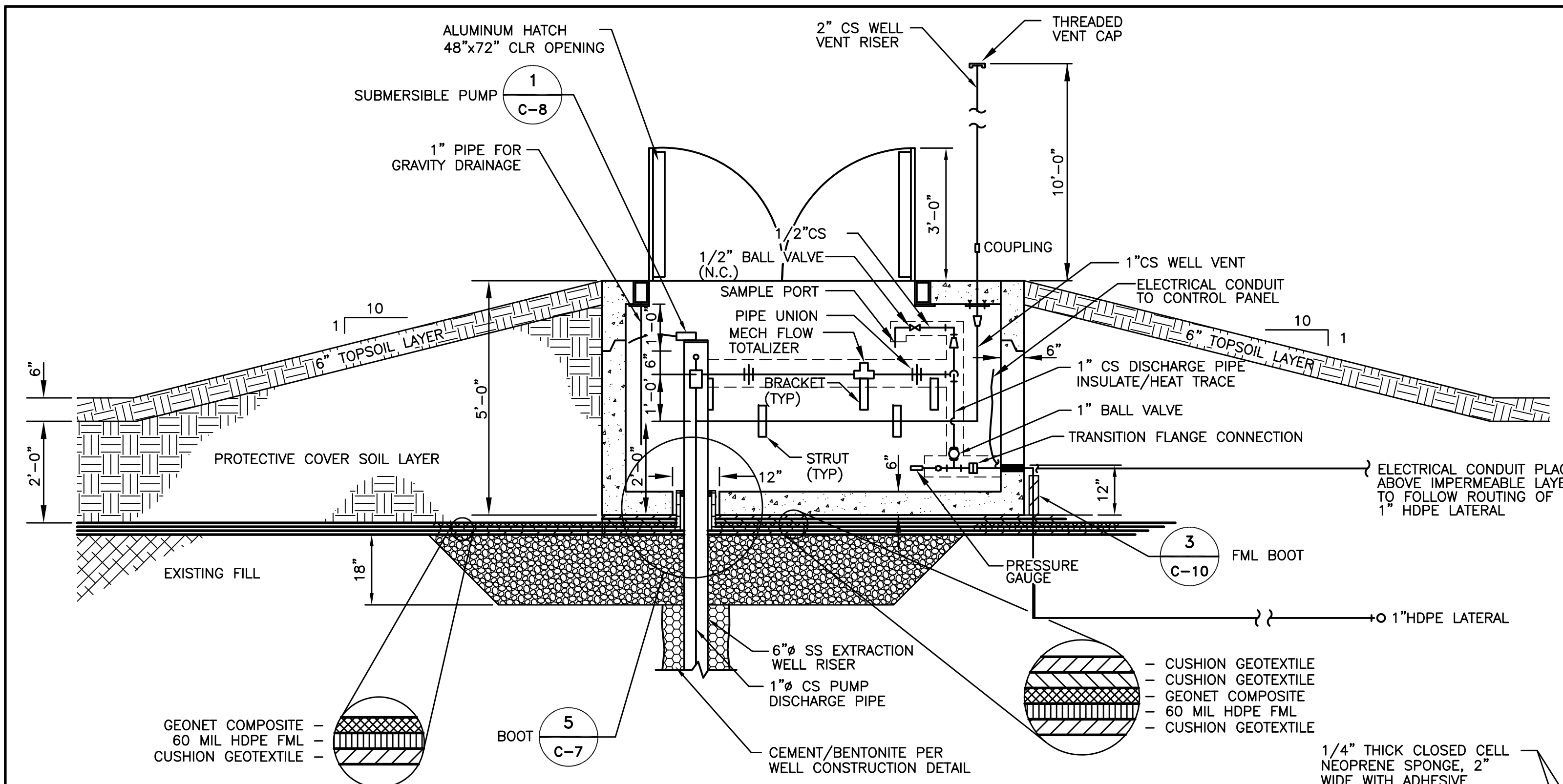
REV. NO.	APPROVED FOR SAFETY
	DATE _____
	DATE _____
	DATE _____
	DATE _____
	DATE _____

NO.	REVISION	BY	APPR.	APPR.	APPR.	APPR.	DATE	REFERENCE
1	RECORD DRAWING							
0	ISSUED FOR CONSTRUCTION	EWM					5/11/98	

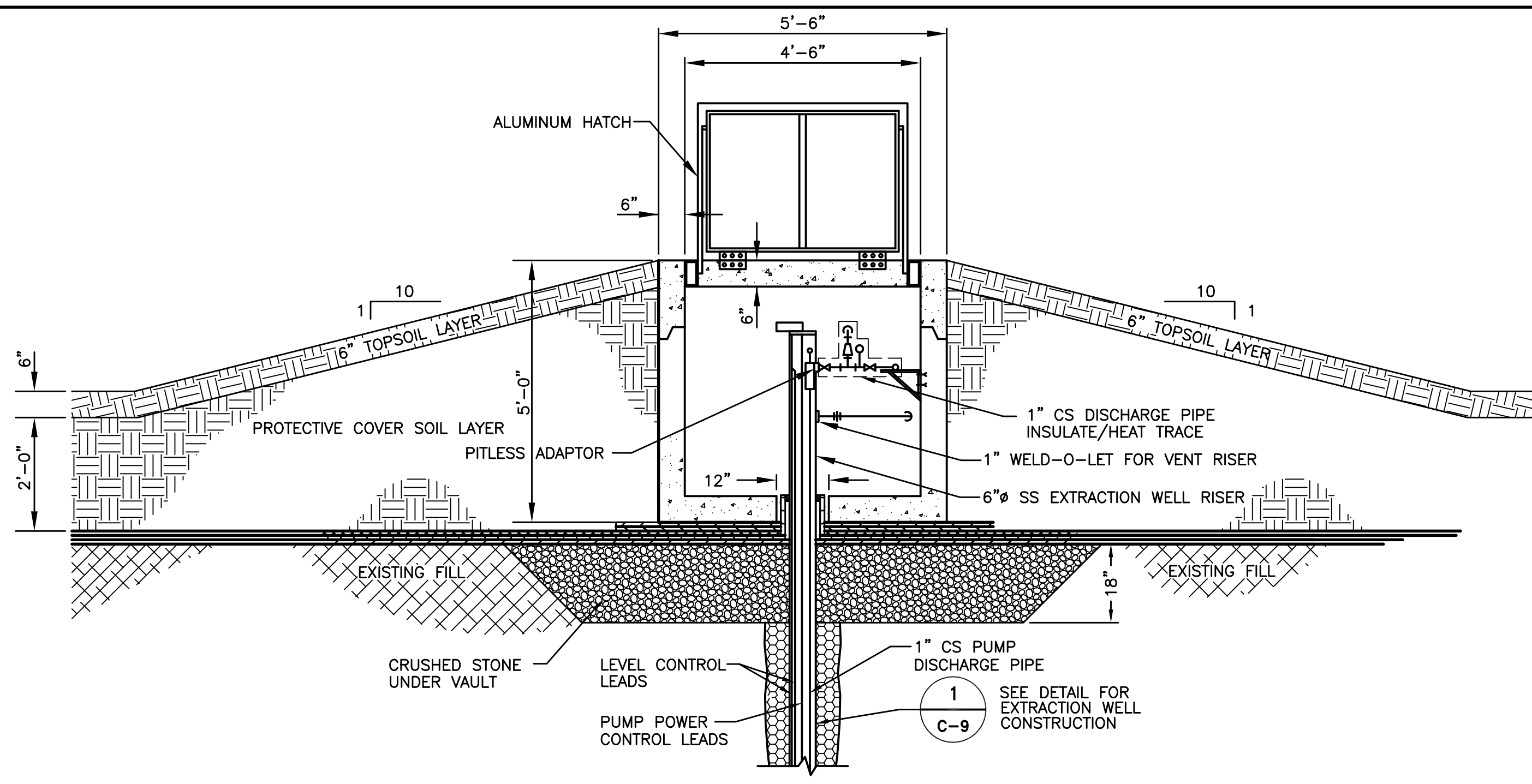
DWG. NO.	APPROVALS	DATE

JOB NO. _____
BLDG/AREA _____
APP. NO. _____
SCALE _____

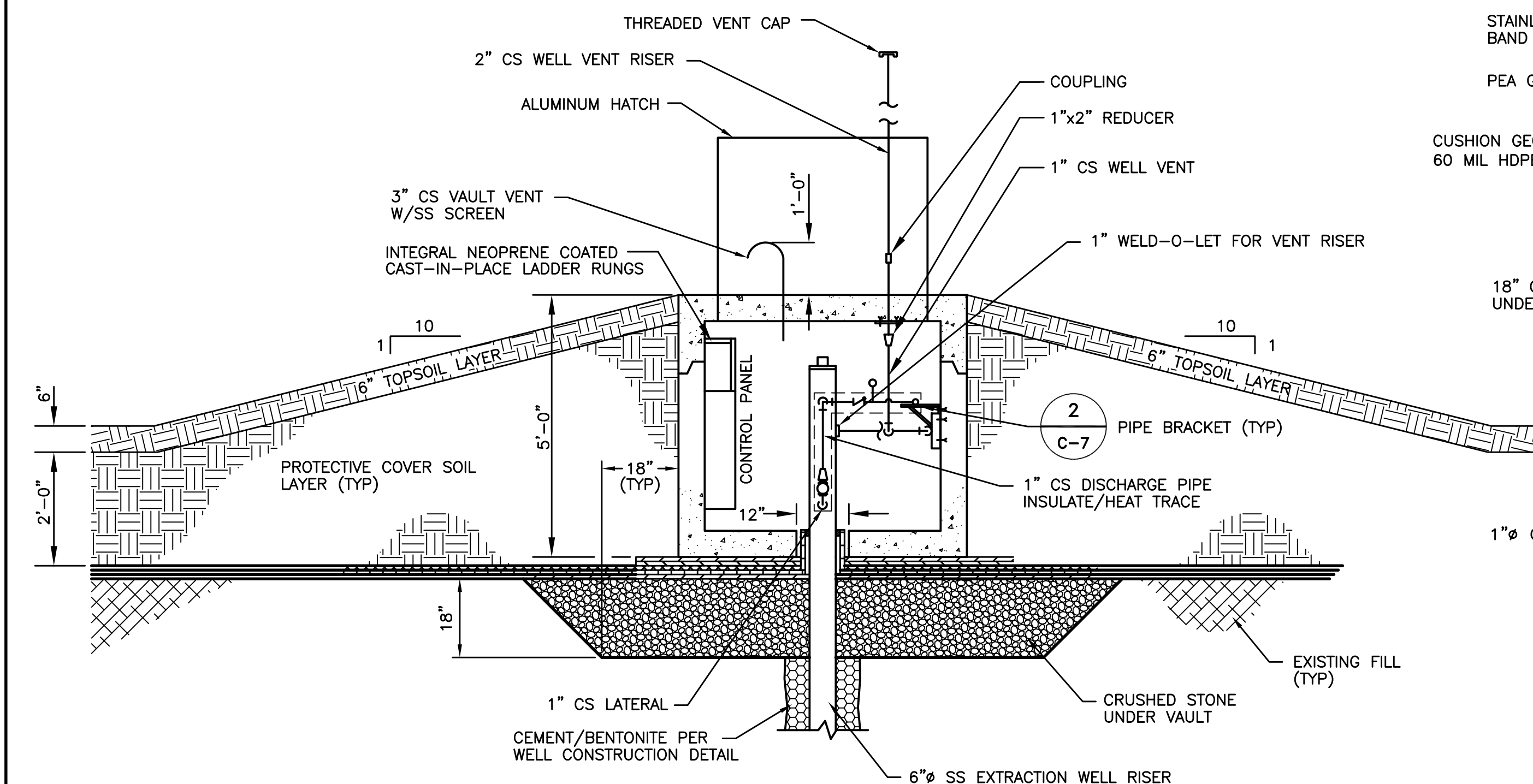
<b>CAPPING SYSTEM DETAILS</b>			
	DRAWN	DATE	CHK.
MORRISTOWN, NJ	C-6		435797



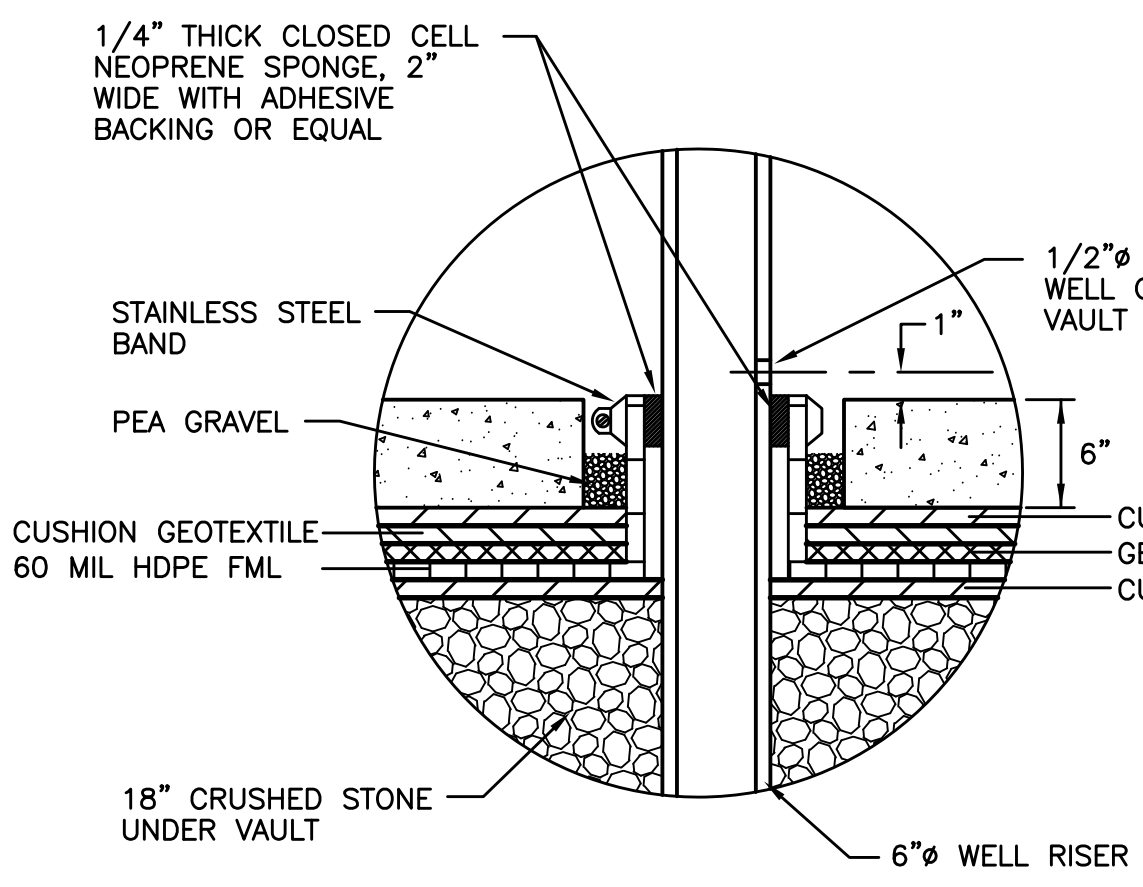
**A** EXTRACTION WELL AND VAULT SECTION  
C-7 NOT TO SCALE



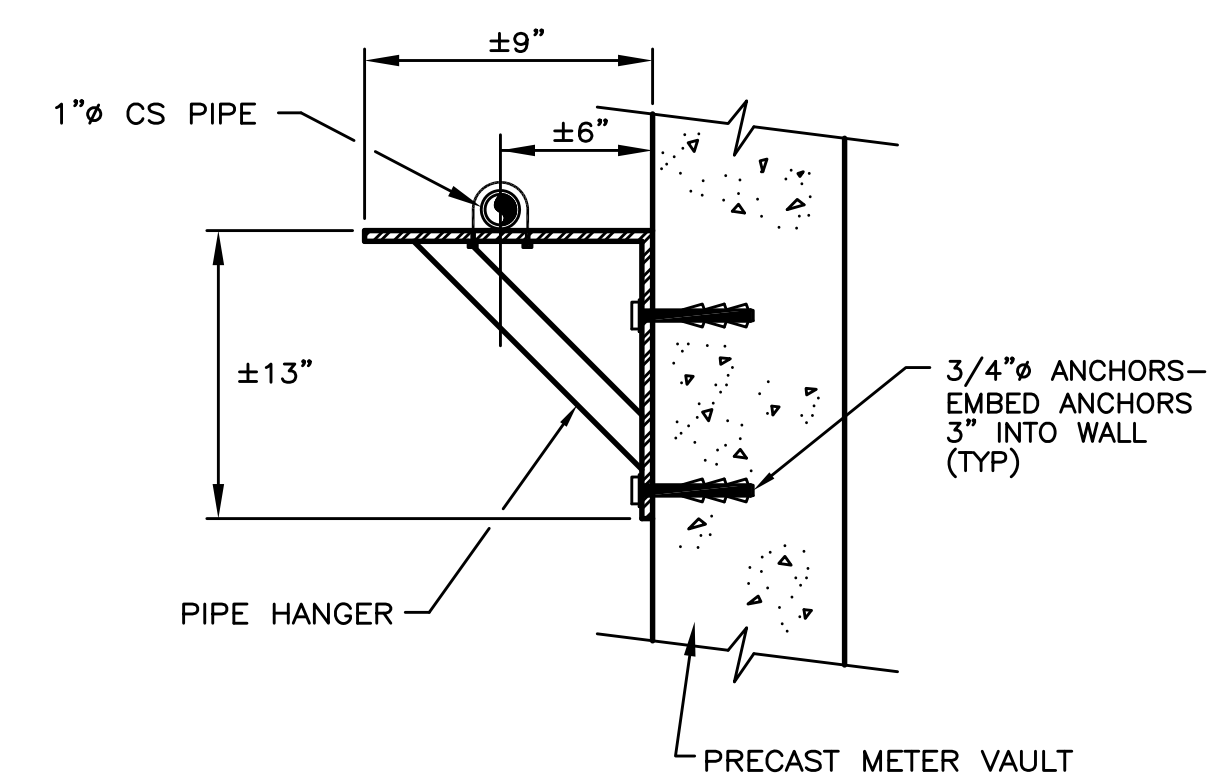
**B** EXTRACTION WELL AND VAULT SECTION  
C-7 NOT TO SCALE



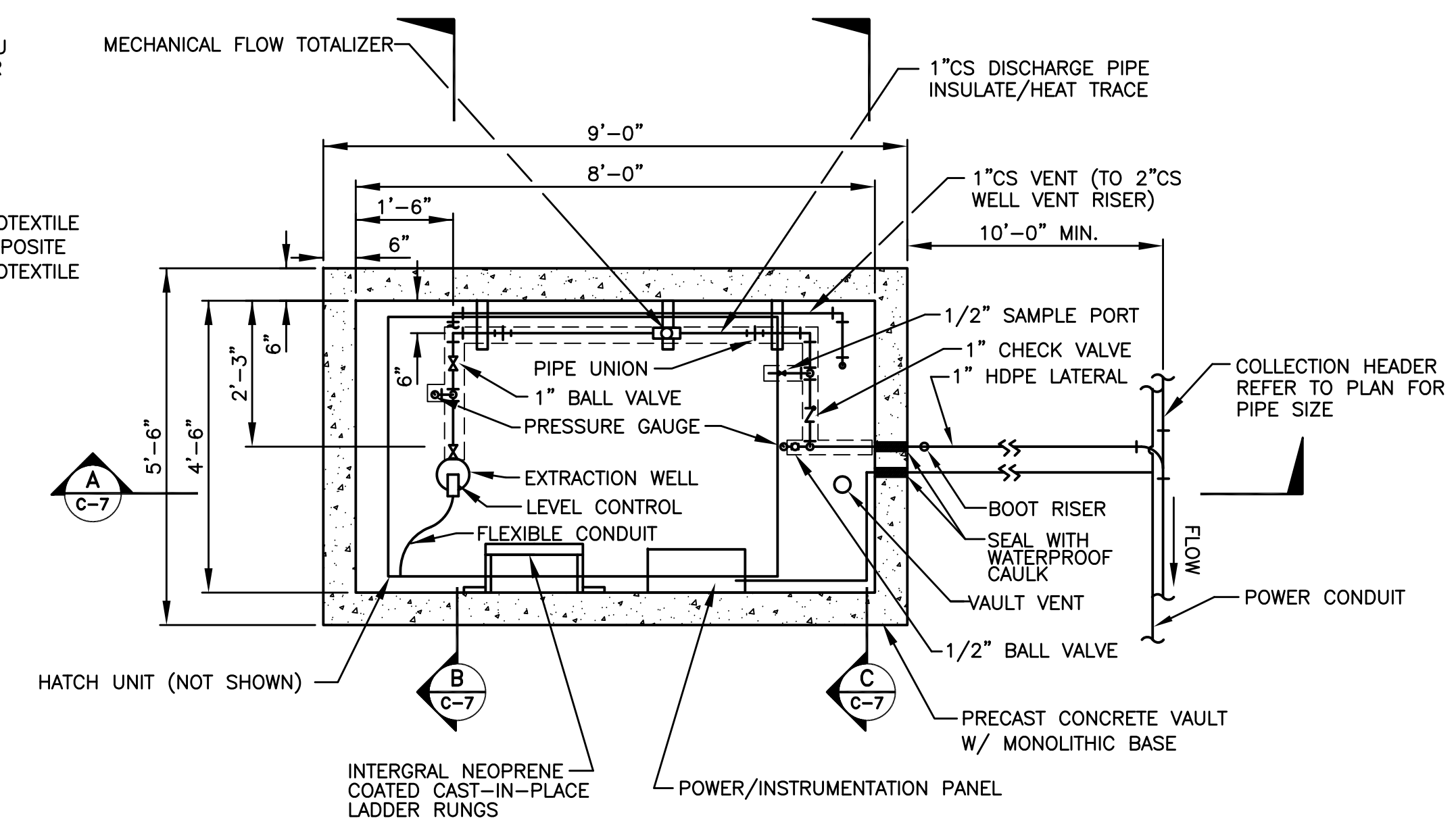
**C** EXTRACTION WELL AND VAULT SECTION  
C-7 NOT TO SCALE



**5** TYPICAL BOOT DETAIL  
C-7 NOT TO SCALE



**2** TYPICAL PIPE DETAIL  
C-7 NOT TO SCALE



**4** EXTRACTION WELL AND VAULT PLAN DETAIL  
C-1 SCALE: 1" = 2'-0"

SCALE: 1/2" = 1'-0"

**NOTE:**  
1. ALL PIPING IN EXTRACTION WELL VAULT SHALL BE HEAT TRACED AND INSULATED PER SPECIFICATION SECTION 15260.

**NOTE:**  
IT IS A VIOLATION OF NEW YORK STATE LAW FOR ANY PERSON, UNLESS ACTING UNDER THE DIRECTION OF A LICENSED PROFESSIONAL ENGINEER, TO ALTER AN ITEM ON THIS DRAWING IN ANY WAY. IF AN ITEM IS ALTERED, THE ALTERING ENGINEER SHALL AFFIX TO THE ITEM HIS SEAL AND THE NOTATION "ALTERED BY" FOLLOWED BY HIS SIGNATURE AND THE DATE OF SUCH ALTERATION, AND A SPECIFIC DESCRIPTION OF THE ALTERATION.

**RECORD DRAWING**  
THESE DRAWINGS HAVE BEEN REVISED TO REFLECT MAJOR CHANGES, IF ANY, WHICH OCCURRED DURING CONSTRUCTION. REVISIONS ARE BASED UPON INFORMATION FURNISHED BY CONTRACTOR.  
DATE: \_\_\_\_\_ PER: \_\_\_\_\_

DWG FILE: P:\732980\CAD\RECORD\32980C07.DWG PLOT FACTOR: 1=1

NOTICE  
THIS DRAWING, THE PROPERTY OF ALLIEDSIGNAL IS FURNISHED SUBJECT TO RETURN ON DEMAND AND THE CONDITION THAT THE INFORMATION AND TECHNOLOGY EMBODIED HEREIN SHALL NOT BE DISCLOSED OR USED IN WHOLE OR IN PART EXCEPT AS PREVIOUSLY AUTHORIZED IN WRITING. ANY PERSON WHO MAY RECEIVE OR OBSERVE THIS DESIGN WILL BE HELD STRICTLY LIABLE FOR ANY VIOLATION WHETHER WILLFUL OR NEGLIGENT.

**PARSONS ENGINEERING SCIENCE, INC.**

REV. NO.	APPROVED FOR SAFETY
	DATE
	DATE
	DATE
	DATE
	DATE

NO.	REVISION	BY	APPR.	APPR.	APPR.	APPR.	DATE	REFERENCE
1	RECORD DRAWING							
0	ISSUED FOR CONSTRUCTION	EWM					5/11/98	

DWG. NO.	APPROVALS	DATE

JOB NO.	BLDG/AREA	APP. NO.	SCALE	EQUIP. NO.	INV. NO.

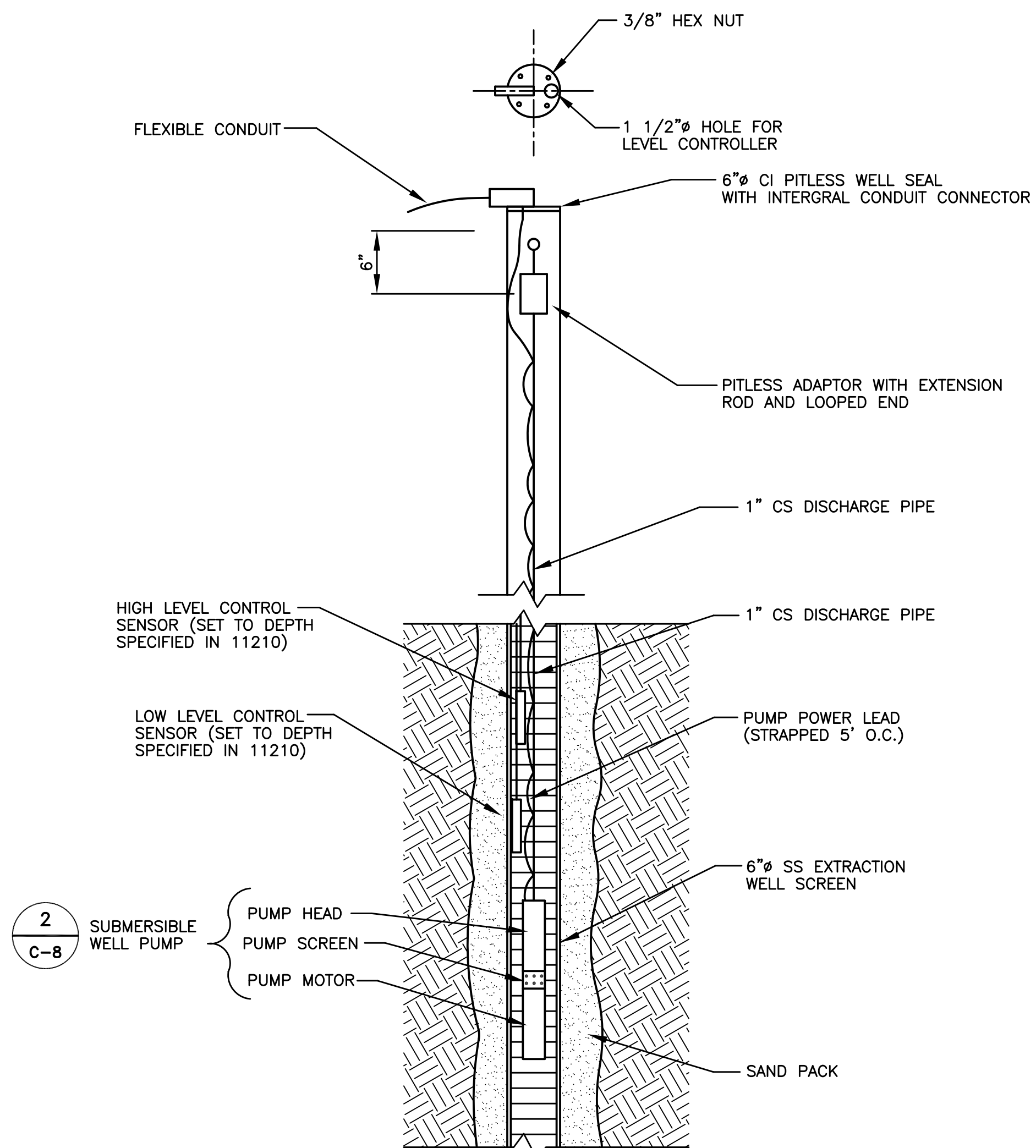
GROUNDWATER COLLECTION SYSTEM DETAILS

DRAWN	DATE	CHK.	DATE
C-7			

ALLIEDSIGNAL  
MORRISTOWN, NJ

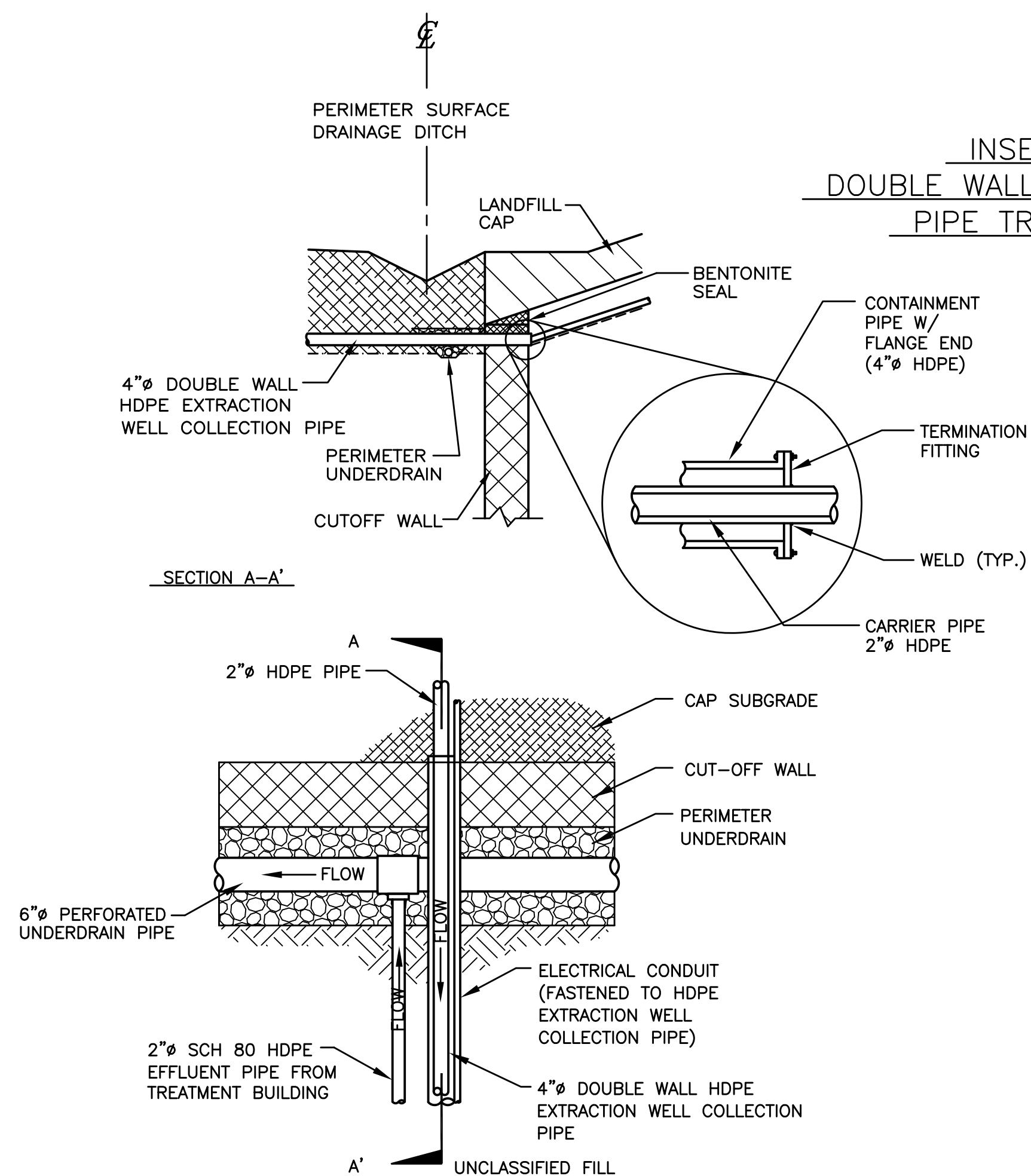
435798



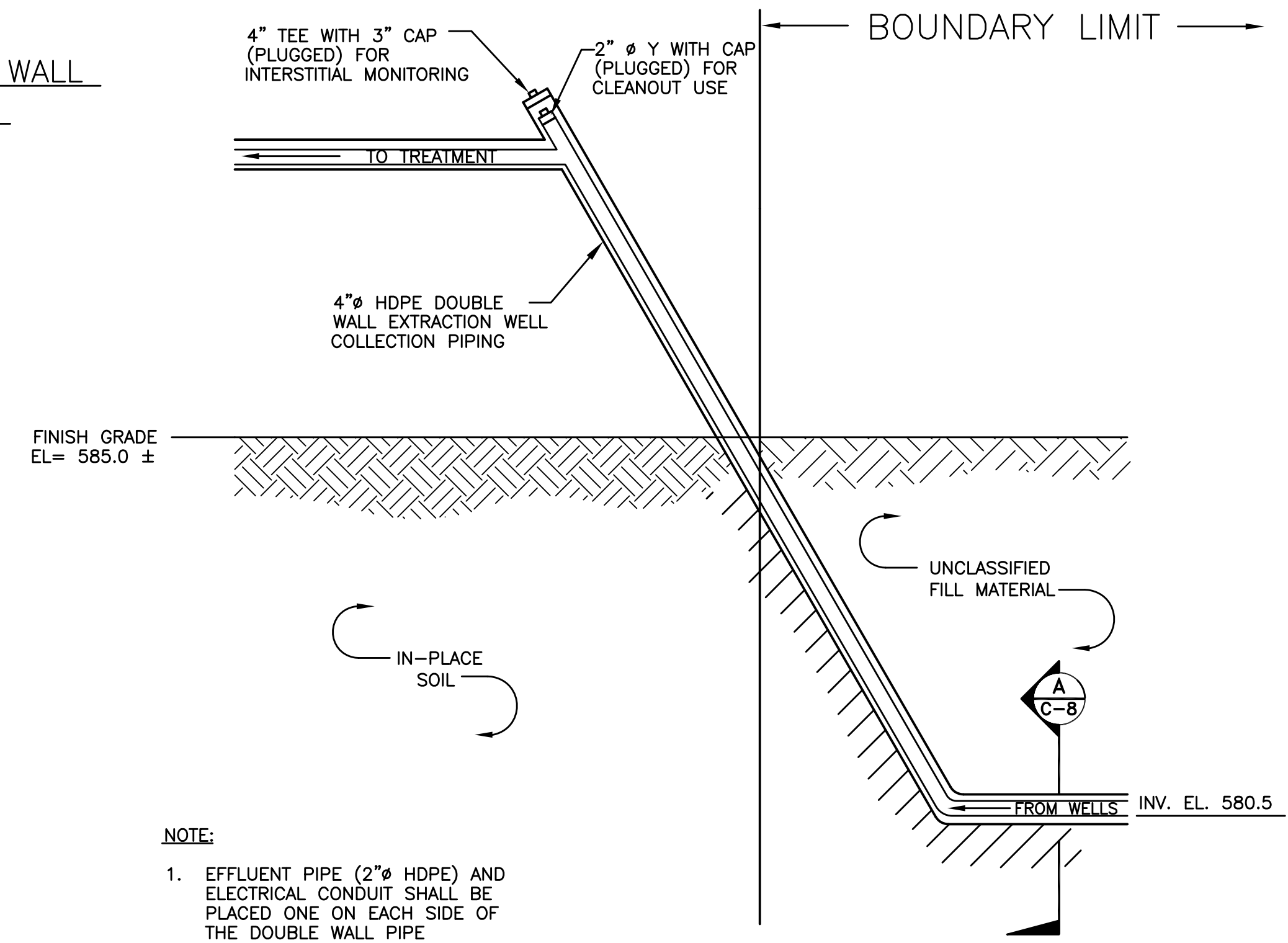


1 SUBMERSIBLE PUMP DETAIL  
SCALE: 1" = 1'-0"

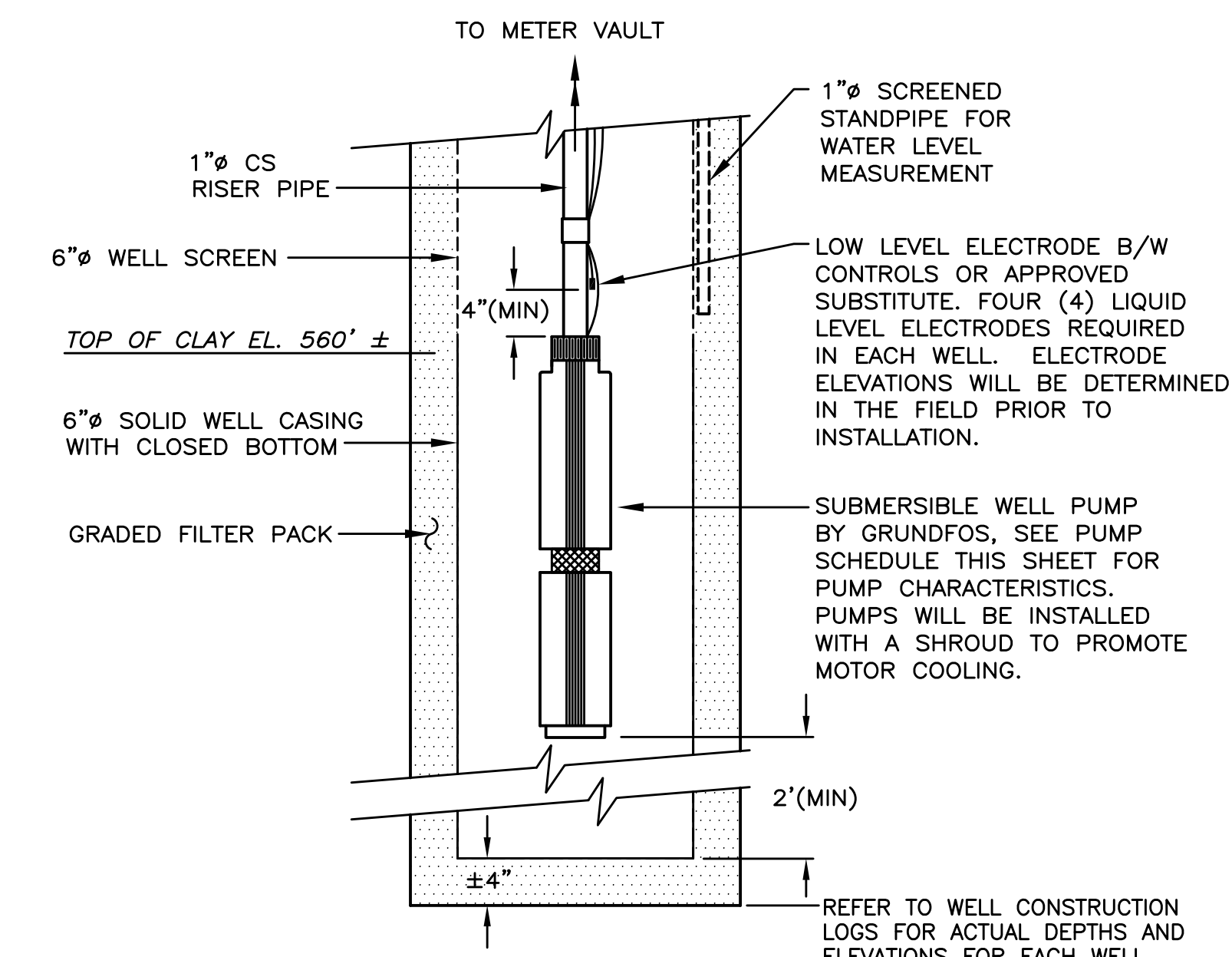
PUMP SCHEDULE						
WELL NO.	CAPACITY	TOTAL DYNAMIC HEAD	PHASE	VOLTAGE	HP	RPM
EW-1D	5 GPM	80 FT	1Ø	240	1/3	3450
EW-2D	5 GPM	75 FT	1Ø	240	1/3	3450
EW-3D	5 GPM	70 FT	1Ø	240	1/3	3450
EW-4D	5 GPM	65 FT	1Ø	240	1/3	3450



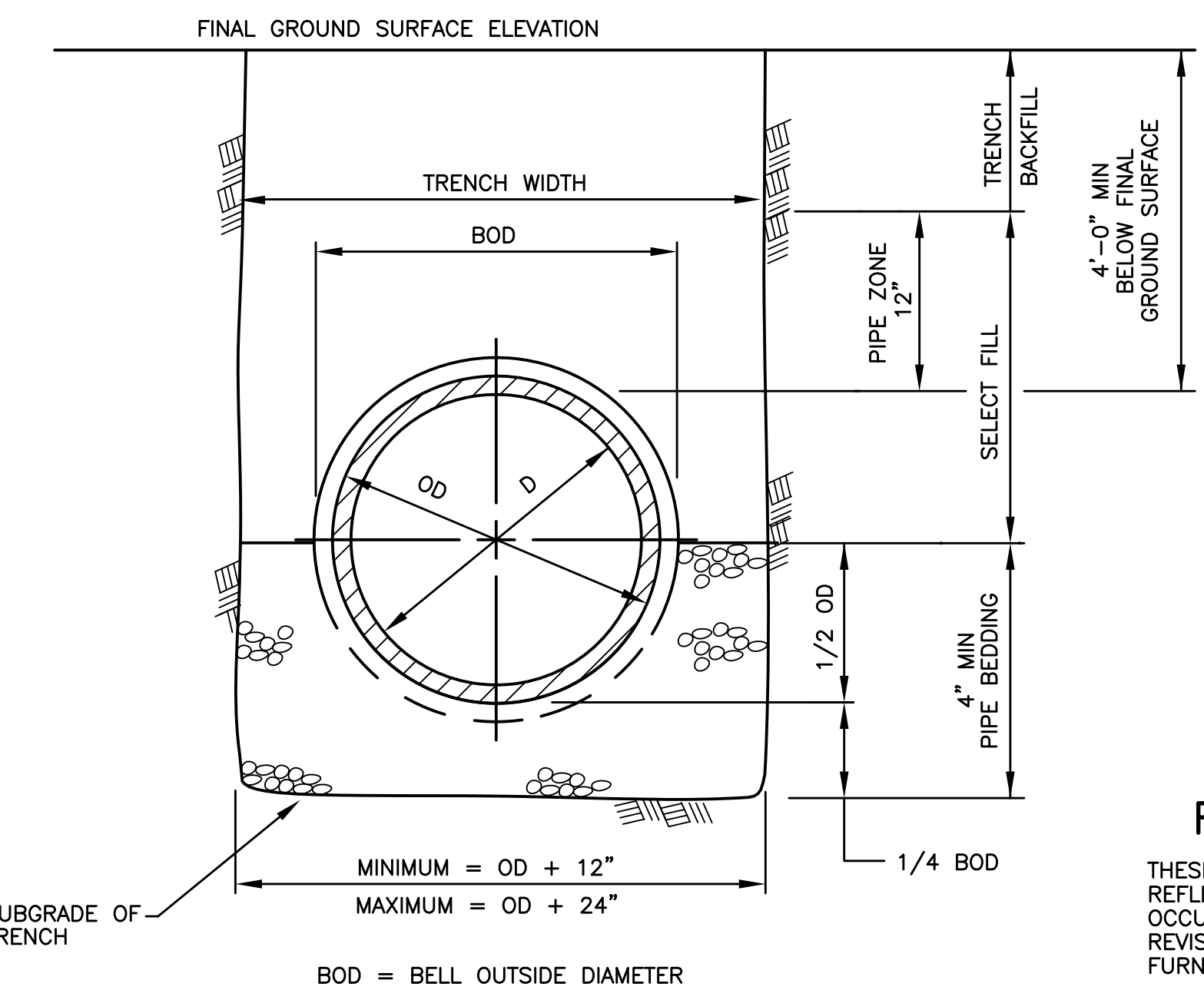
5 PIPING TRANSITION AT END OF CAP (PLAN VIEW)  
NOT TO SCALE



6 PIPING TRANSITION FROM BELOW GRADE TO ABOVE GRADE  
NOT TO SCALE



2 EXTRACTION WELL PUMP DETAIL (TYP.)  
NOT TO SCALE



A TYPICAL COLLECTION PIPE SECTION  
NOT TO SCALE

RECORD DRAWING  
THESE DRAWINGS HAVE BEEN REVISED TO REFLECT MAJOR CHANGES, IF ANY, WHICH OCCURRED DURING CONSTRUCTION. REVISIONS ARE BASED UPON INFORMATION FURNISHED BY CONTRACTOR.  
DATE: \_\_\_\_\_ PER: \_\_\_\_\_

NOTE: IT IS A VIOLATION OF NEW YORK STATE LAW FOR ANY PERSON, UNLESS ACTING UNDER THE DIRECTION OF A LICENSED PROFESSIONAL ENGINEER, TO ALTER AN ITEM ON THIS DRAWING IN ANY WAY. IF AN ITEM IS ALTERED, THE ALTERING ENGINEER SHALL AFFIX TO THE ITEM HIS SEAL AND THE NOTATION "ALTERED BY" FOLLOWED BY HIS SIGNATURE AND THE DATE OF SUCH ALTERATION, AND A SPECIFIC DESCRIPTION OF THE ALTERATION.

DWG FILE: P:\CAD\732980\RECORD\32980C08.DWG PLOT FACTOR: 1=1

NOTICE  
THIS DRAWING, THE PROPERTY OF ALLIEDSIGNAL IS FURNISHED SUBJECT TO RETURN ON DEMAND AND THE CONDITION THAT THE INFORMATION AND TECHNOLOGY EMBODIED HEREIN SHALL NOT BE REPRODUCED OR USED IN WHOLE OR IN PART EXCEPT AS PREVIOUSLY AUTHORIZED IN WRITING. ANY PERSON WHO MAY RECEIVE OR OBSERVE THIS DESIGN WILL BE HELD STRICTLY LIABLE FOR ANY VIOLATION WHETHER WILLFUL OR NEGLIGENT.

PARSONS ENGINEERING SCIENCE, INC.

REV. NO. APPROVED FOR SAFETY  
DATE  
DATE  
DATE  
DATE  
DATE

NO.	REVISION	BY	APPR.	APPR.	APPR.	APPR.	DATE	REFERENCE
1	RECORD DRAWING							
0	ISSUED FOR CONSTRUCTION	EWM						

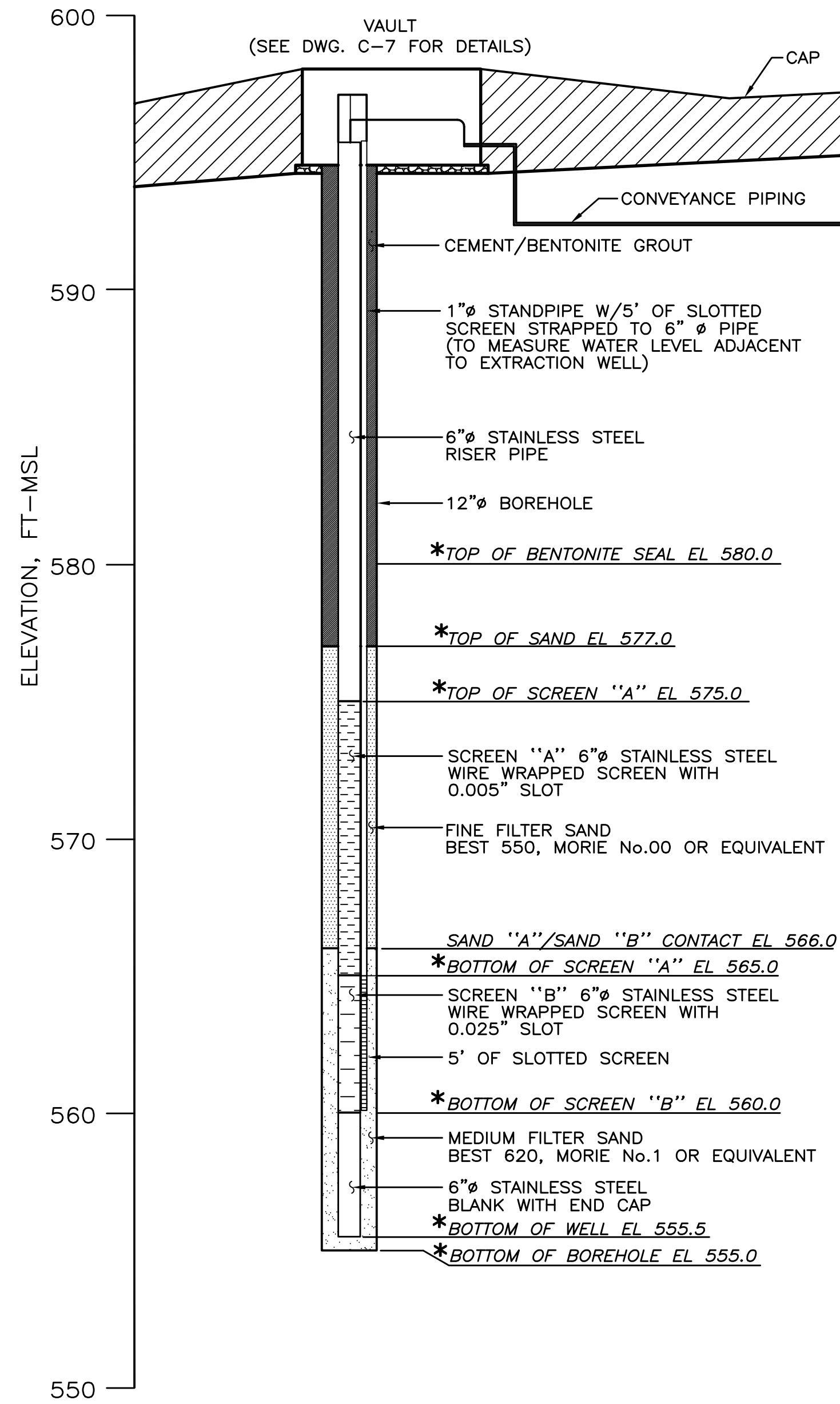
DWG. NO.	APPROVALS	DATE

JOB NO.  
BLDG/AREA  
APP. NO.  
SCALE

GROUNDWATER COLLECTION SYSTEM DETAILS			
DRAWN	DATE	CHK.	DATE
C-8			

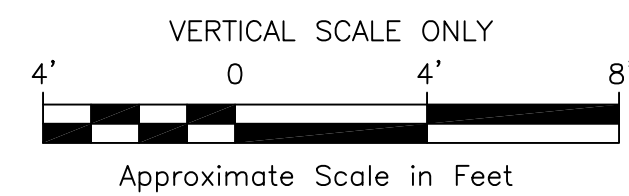
AlliedSignal  
MORRISTOWN, NJ

EQUIP. NO.  
INV. NO.  
C-8 435799

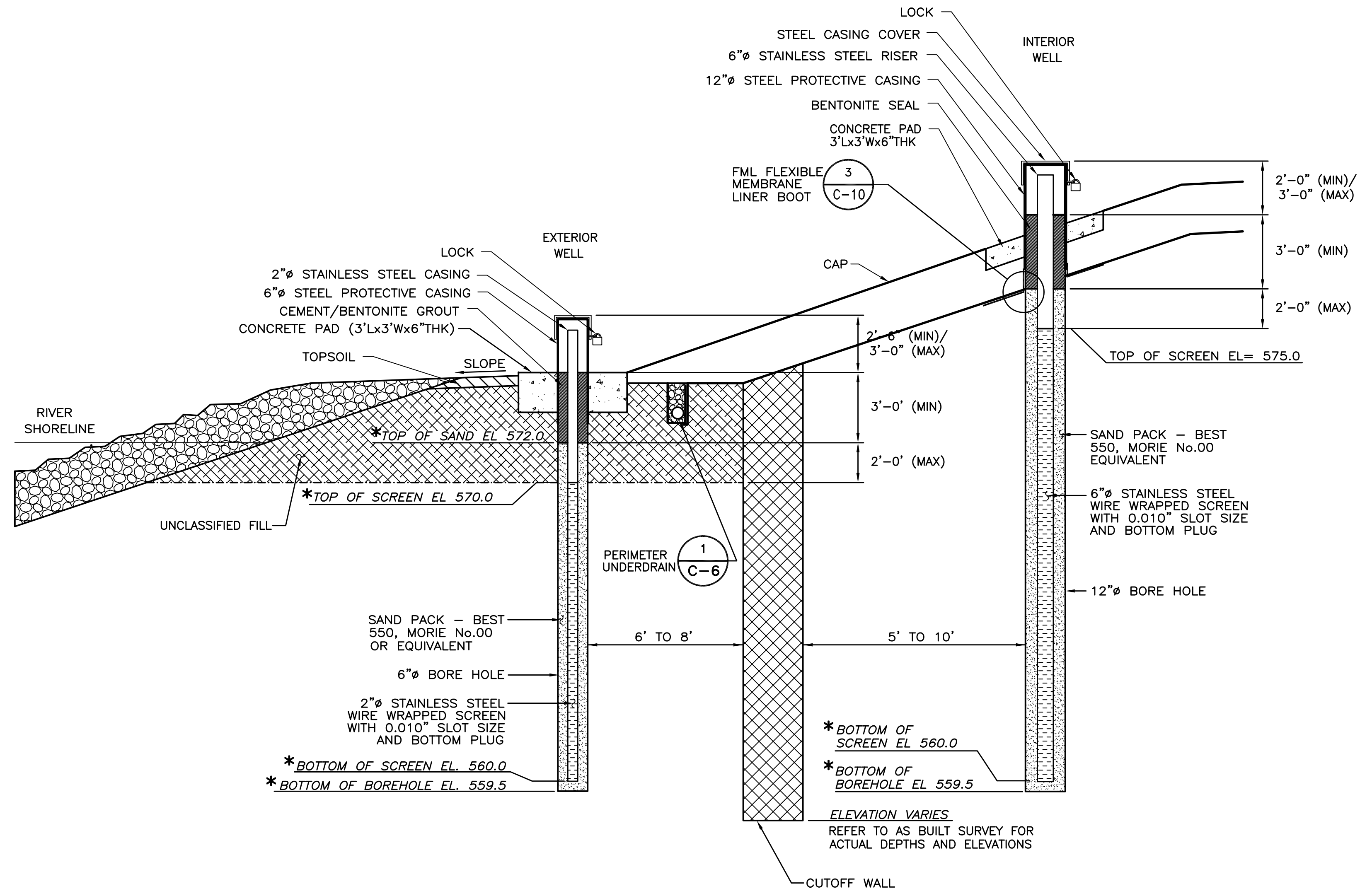


\* REFER TO WELL LOGS FOR ACTUAL DEPTHS AND ELEVATIONS

7  
C-1 EXTRACTION WELL CONSTRUCTION DETAIL AS SHOWN



NOTE:  
WELL DIAMETERS ARE NOT TO SCALE.



\* REFER TO WELL LOGS FOR ACTUAL DEPTHS AND ELEVATIONS

D  
C-1 TYPICAL SECTION THROUGH OBSERVATION WELLS SECTION NOT TO SCALE

RECORD DRAWING

THESE DRAWINGS HAVE BEEN REVISED TO REFLECT MAJOR CHANGES, IF ANY, WHICH OCCURRED DURING CONSTRUCTION. REVISIONS ARE BASED UPON INFORMATION FURNISHED BY CONTRACTOR.

DATE: \_\_\_\_\_ PER: \_\_\_\_\_

IT IS A VIOLATION OF NEW YORK STATE LAW FOR ANY PERSON, UNLESS ACTING UNDER THE DIRECTION OF A LICENSED PROFESSIONAL ENGINEER, TO ALTER AN ITEM ON THIS DRAWING IN ANY WAY. IF AN ITEM IS ALTERED, THE ALTERING ENGINEER SHALL AFFIX TO THE ITEM HIS SEAL AND THE NOTATION "ALTERED BY" FOLLOWED BY HIS SIGNATURE AND THE DATE OF SUCH ALTERATION, AND A SPECIFIC DESCRIPTION OF THE ALTERATION.

DWG FILE: P:\CAD\732980\RECORD\32980C09.DWG PLOT FACTOR: 1=1

NOTICE  
THIS DRAWING, THE PROPERTY OF ALLIEDSIGNAL IS FURNISHED SUBJECT TO RETURN ON DEMAND AND THE CONDITION THAT THE INFORMATION AND TECHNOLOGY EMBODIED HEREIN SHALL NOT BE DISCLOSED OR USED AND THE DRAWING SHALL NOT BE REPRODUCED OR COPIED IN WHOLE OR IN PART EXCEPT AS PREVIOUSLY AUTHORIZED IN WRITING. ANY PERSON WHO MAY RECEIVE OR OBSERVE THIS DESIGN WILL BE HELD STRICTLY LIABLE FOR ANY VIOLATION WHETHER WILLFUL OR NEGLIGENT.

**PARSONS ENGINEERING SCIENCE, INC.**

REV. NO.	APPROVED FOR SAFETY
	DATE _____
	DATE _____
	DATE _____
	DATE _____
	DATE _____

NO.	REVISION	BY	APPR.	APPR.	APPR.	APPR.	DATE	REFERENCE	DWG. NO.	APPROVALS	DATE
1	RECORD DRAWING									EQUIP. NO.	
0	ISSUED FOR CONSTRUCTION	EWM								INV. NO.	

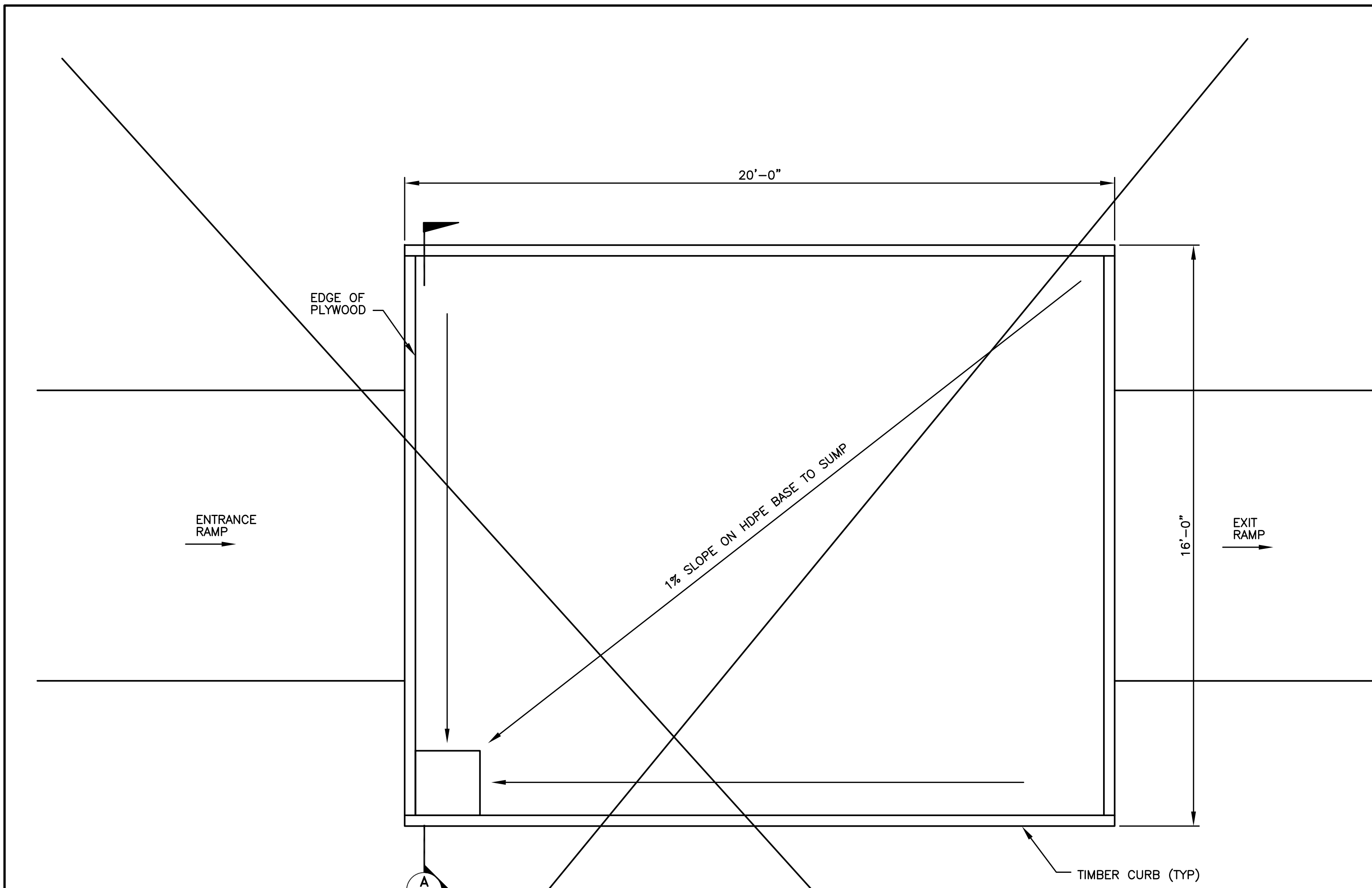
JOB NO. _____
BLDG/AREA _____
APP. NO. _____
SCALE _____

TYPICAL EXTRACTION WELL AND OBSERVATION WELL DETAILS

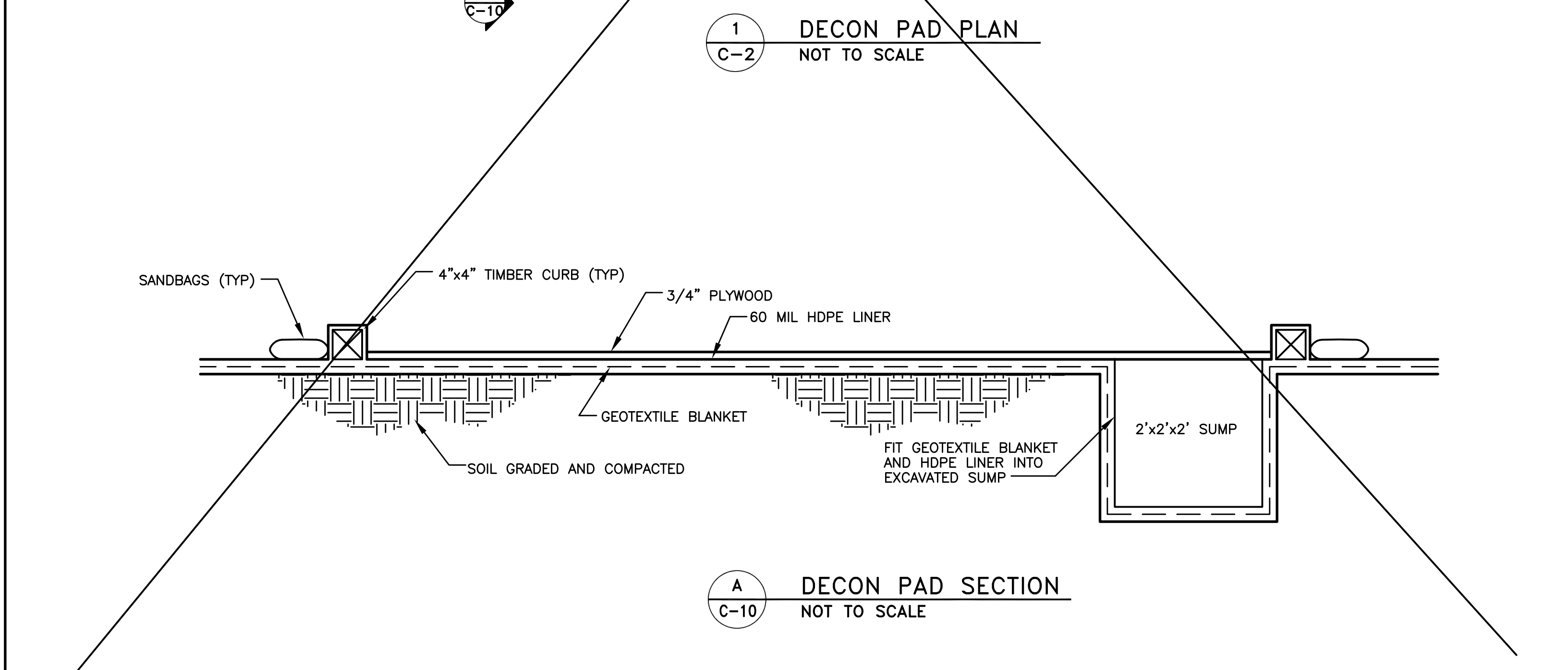


DRAWN	DATE	CHK.	DATE
C-9		435800	

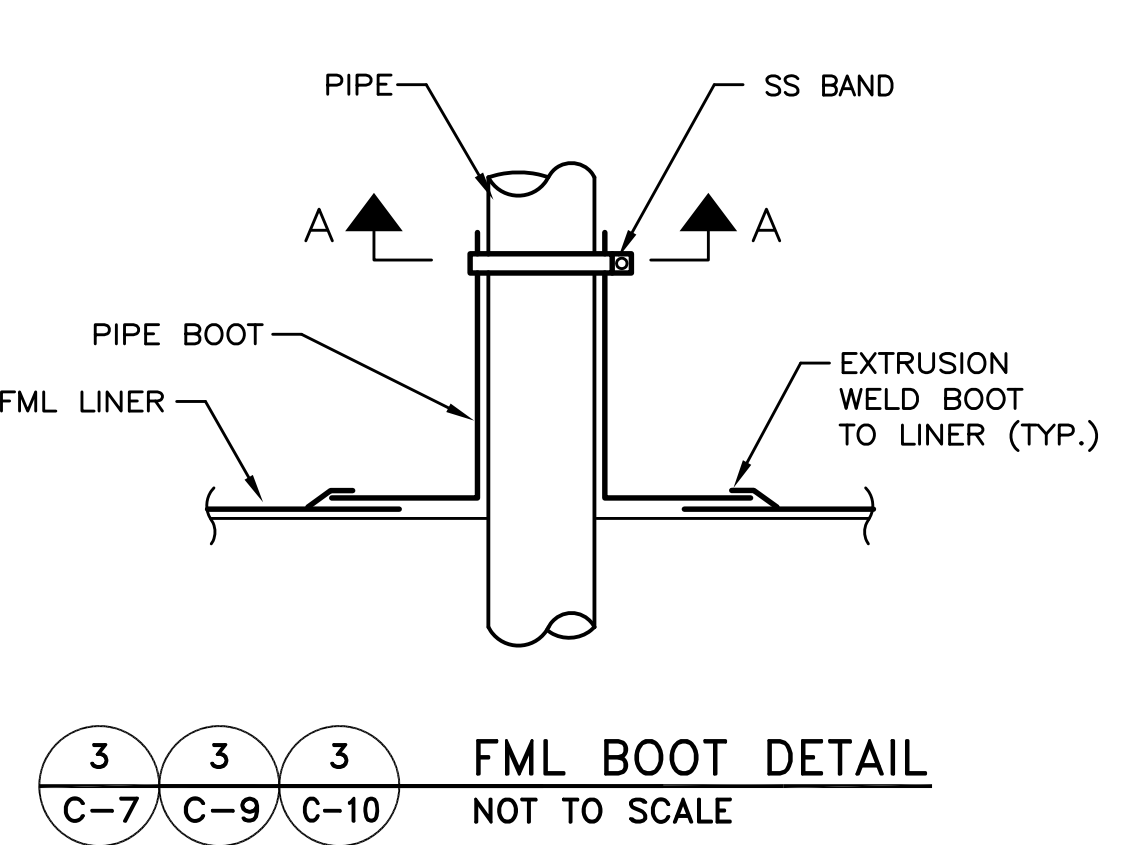
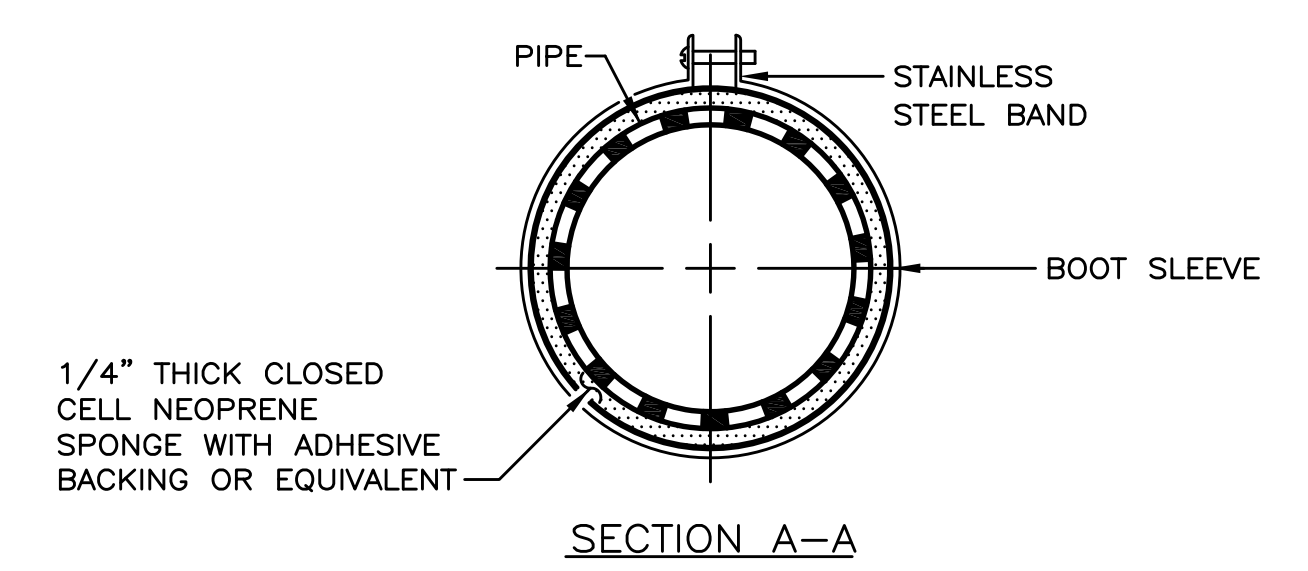
MORRISTOWN, NJ



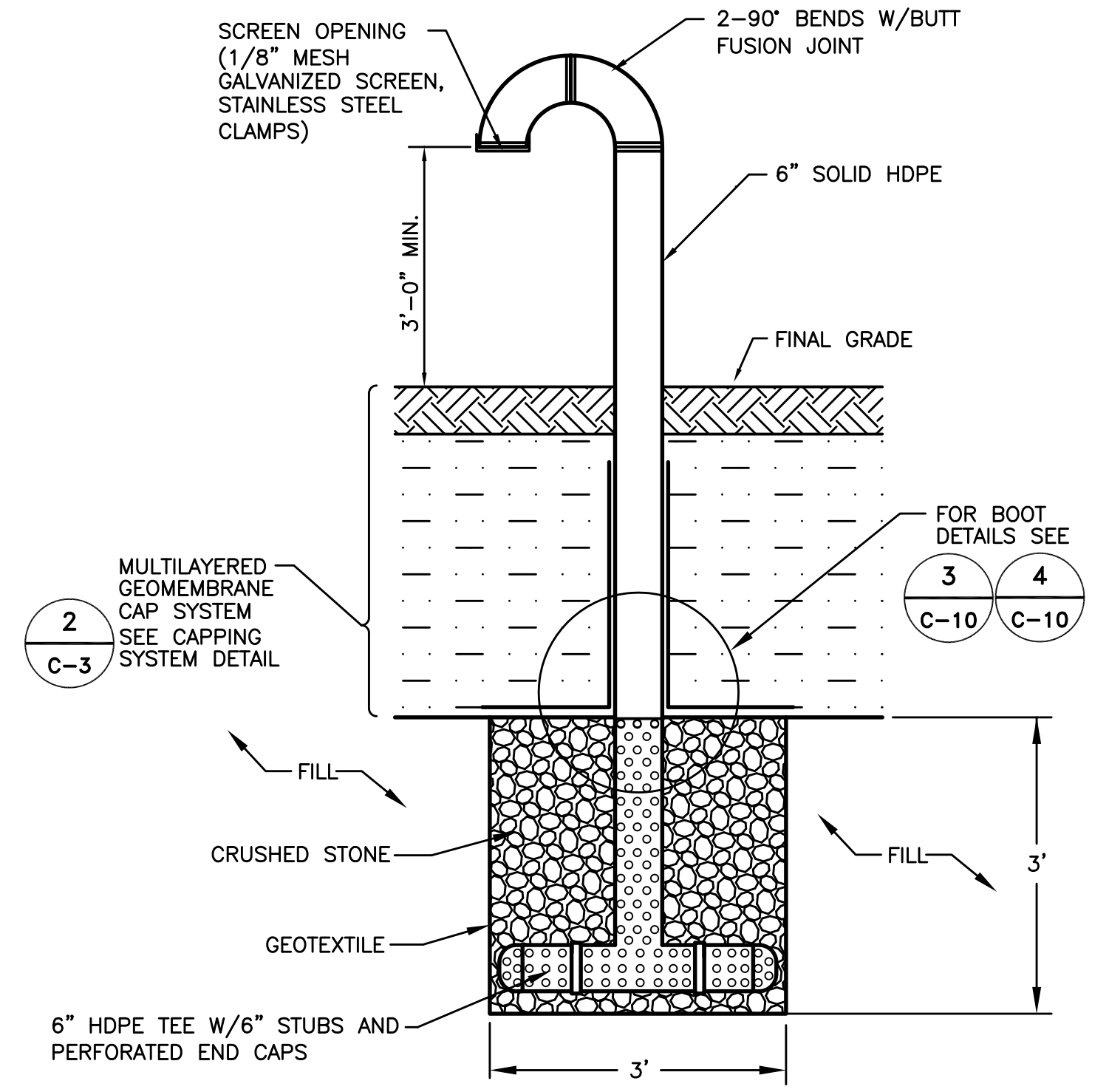
1 DECON PAD PLAN  
C-2 NOT TO SCALE



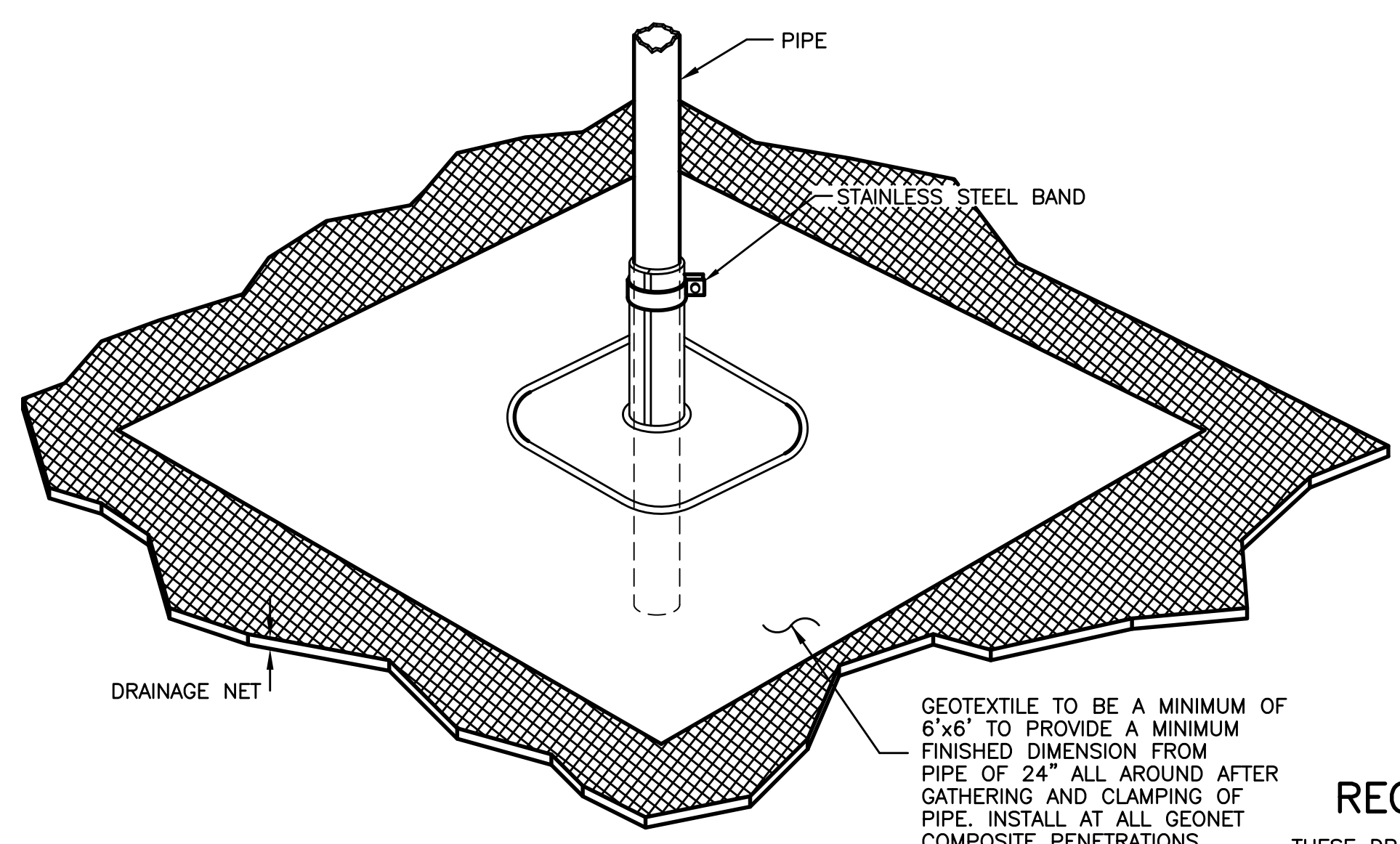
A DECON PAD SECTION  
C-10 NOT TO SCALE



3 3 3 FML BOOT DETAIL  
C-7 C-9 C-10 NOT TO SCALE



B GAS VENT DETAIL  
C-1 NOT TO SCALE



4 GEOTEXTILE BOOT DETAIL  
C-10 NOT TO SCALE

**RECORD DRAWING**

THESE DRAWINGS HAVE BEEN REVISED TO REFLECT MAJOR CHANGES, IF ANY, WHICH OCCURRED DURING CONSTRUCTION. REVISIONS ARE BASED UPON INFORMATION FURNISHED BY CONTRACTOR.

DATE: \_\_\_\_\_ PER: \_\_\_\_\_

IT IS A VIOLATION OF NEW YORK STATE LAW FOR ANY PERSON, UNLESS ACTING UNDER THE DIRECTION OF A LICENSED PROFESSIONAL ENGINEER, TO ALTER AN ITEM ON THIS DRAWING IN ANY WAY. IF AN ITEM IS ALTERED, THE ALTERING ENGINEER SHALL AFFIX TO THE ITEM HIS SEAL AND THE NOTATION "ALTERED BY" FOLLOWED BY HIS SIGNATURE AND THE DATE OF SUCH ALTERATION, AND A SPECIFIC DESCRIPTION OF THE ALTERATION.

DWG FILE: P:\CAD\732980\RECORD\32980C10.DWG PLOT FACTOR: 1=1

NOTICE  
THIS DRAWING, THE PROPERTY OF ALLIEDSIGNAL IS FURNISHED SUBJECT TO RETURN ON DEMAND AND THE CONDITION THAT THE INFORMATION AND TECHNOLOGY EMBODIED HEREIN SHALL NOT BE DISCLOSED OR USED IN WHOLE OR IN PART EXCEPT AS PREVIOUSLY AUTHORIZED IN WRITING. ANY PERSON WHO MAY RECEIVE OR OBSERVE THIS DESIGN WILL BE HELD STRICTLY LIABLE FOR ANY VIOLATION WHETHER WILLFUL OR NEGLIGENT.

**PARSONS ENGINEERING SCIENCE, INC.**

APPROVED FOR SAFETY  
REV. NO. \_\_\_\_\_ DATE \_\_\_\_\_  
DATE \_\_\_\_\_  
DATE \_\_\_\_\_  
DATE \_\_\_\_\_  
DATE \_\_\_\_\_

NO.	REVISION	BY	APPR.	APPR.	APPR.	APPR.	DATE	REFERENCE	DWG. NO.	APPROVALS	DATE
1	RECORD DRAWING										
0	ISSUED FOR CONSTRUCTION	EWM									

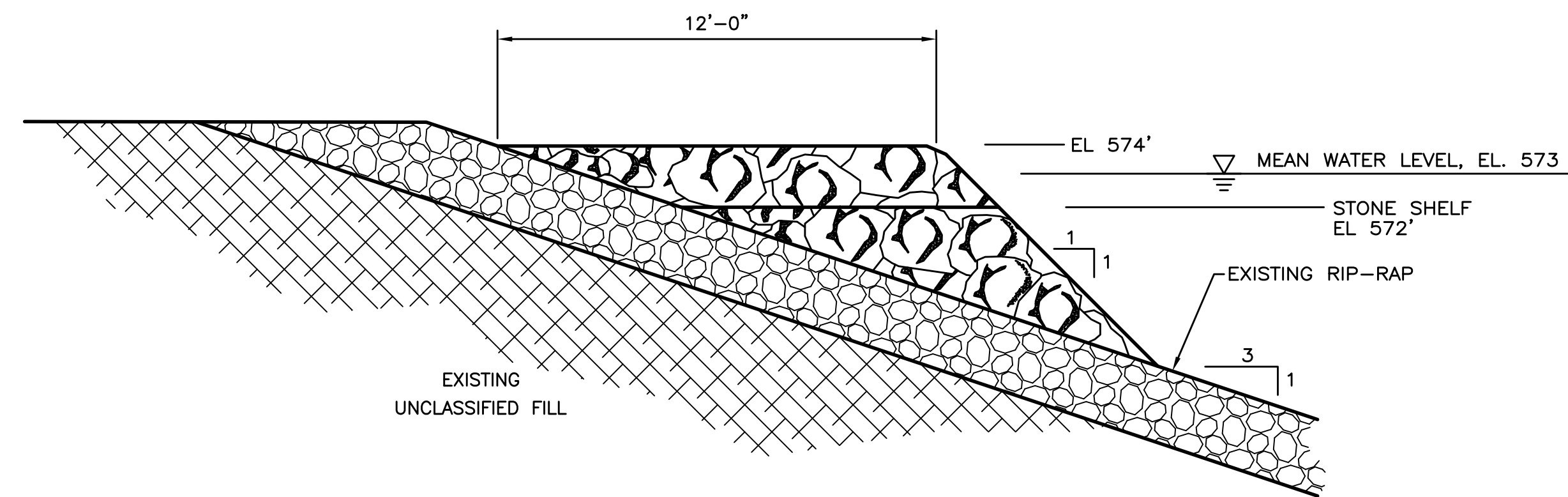
JOB NO. \_\_\_\_\_  
BLDG/AREA \_\_\_\_\_  
APP. NO. \_\_\_\_\_  
SCALE \_\_\_\_\_  
EQUIP. NO. \_\_\_\_\_  
INV. NO. \_\_\_\_\_

MISCELLANEOUS DETAILS

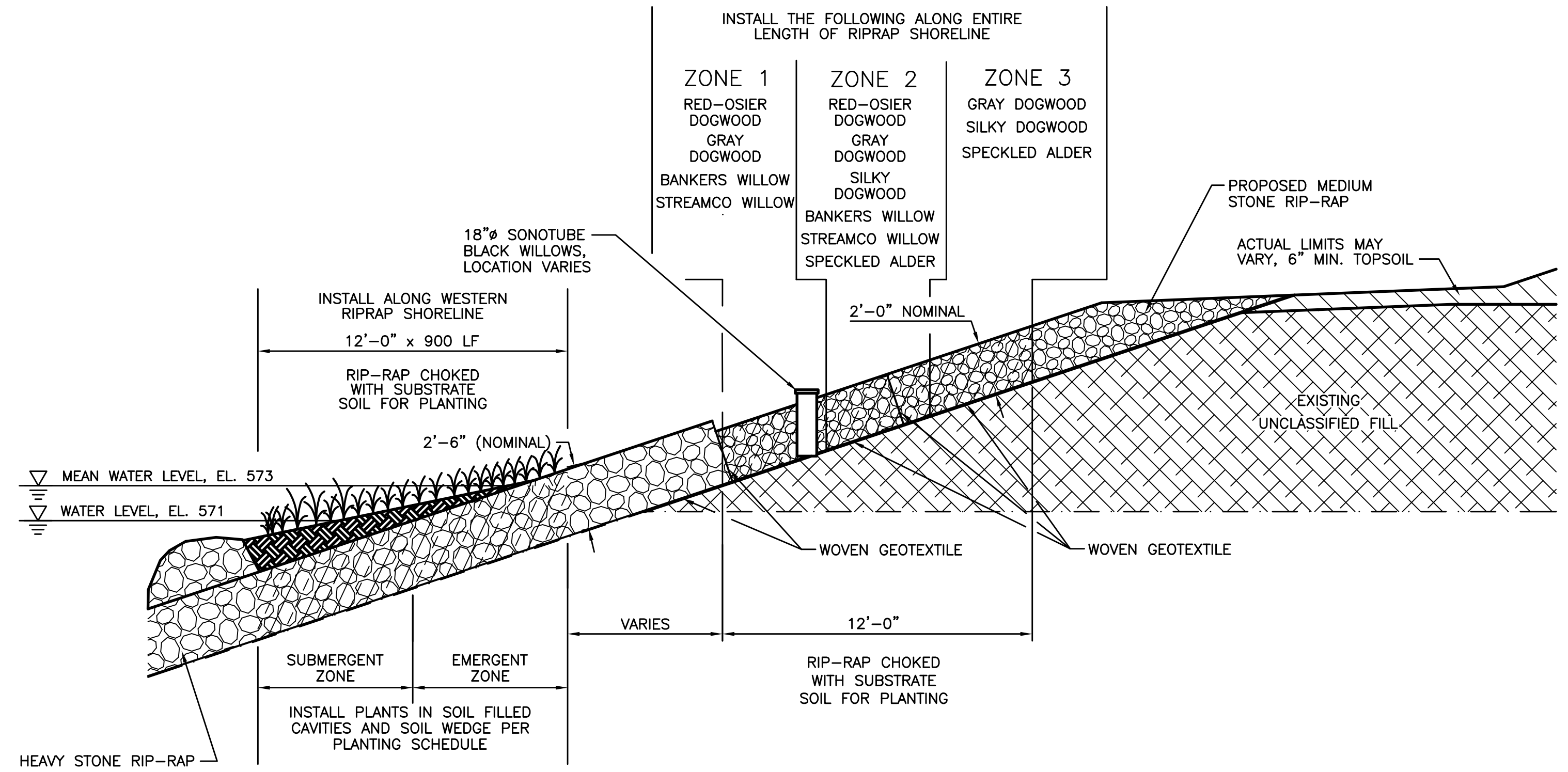
**AlliedSignal**  
MORRISTOWN, NJ

DRAWN	DATE	CHK.	DATE
C-10			

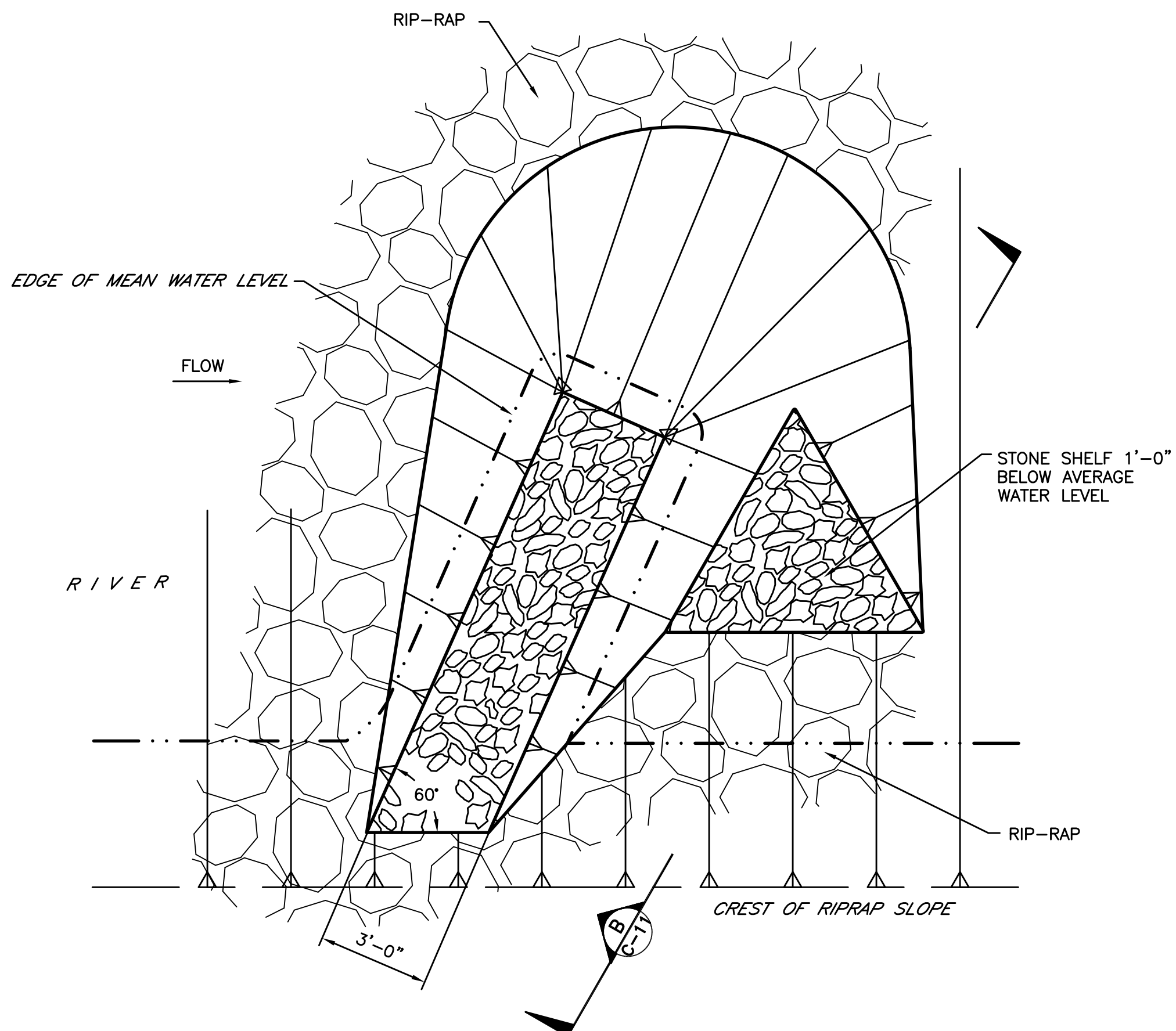
435801



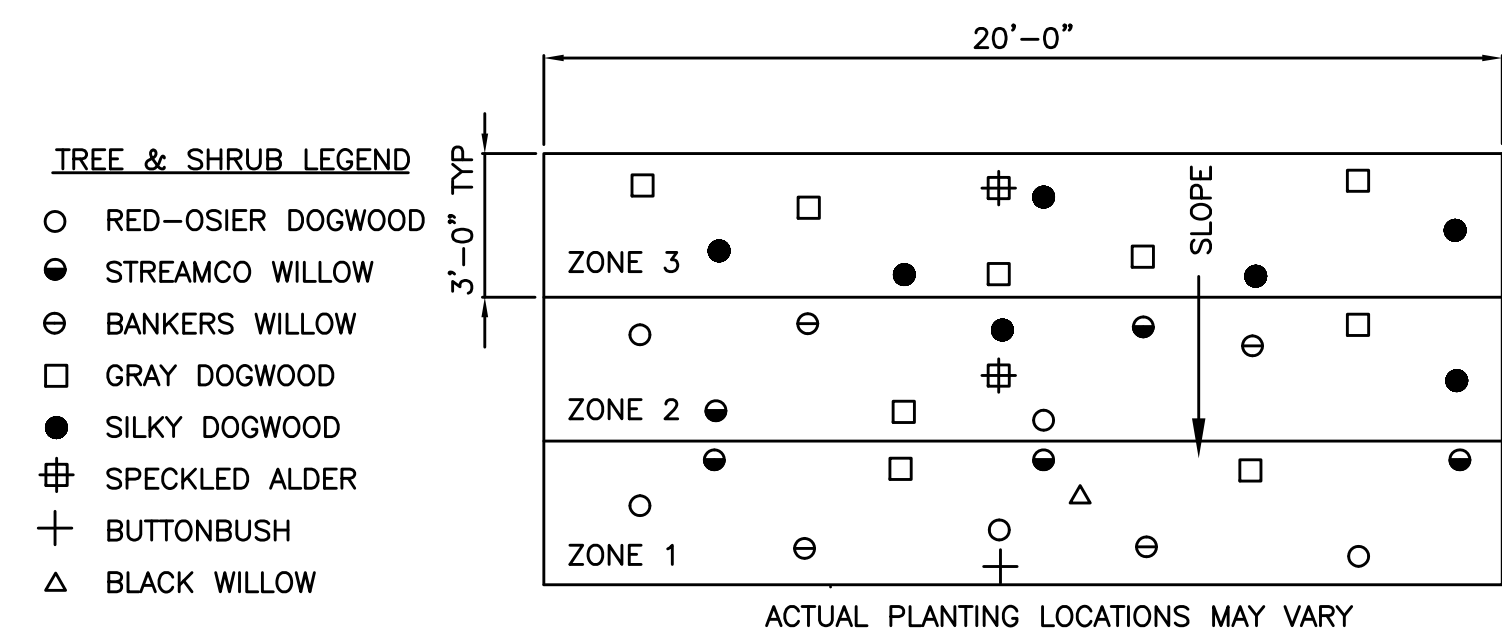
**F** TYPICAL FISH POD SECTION  
C-11 NOT TO SCALE



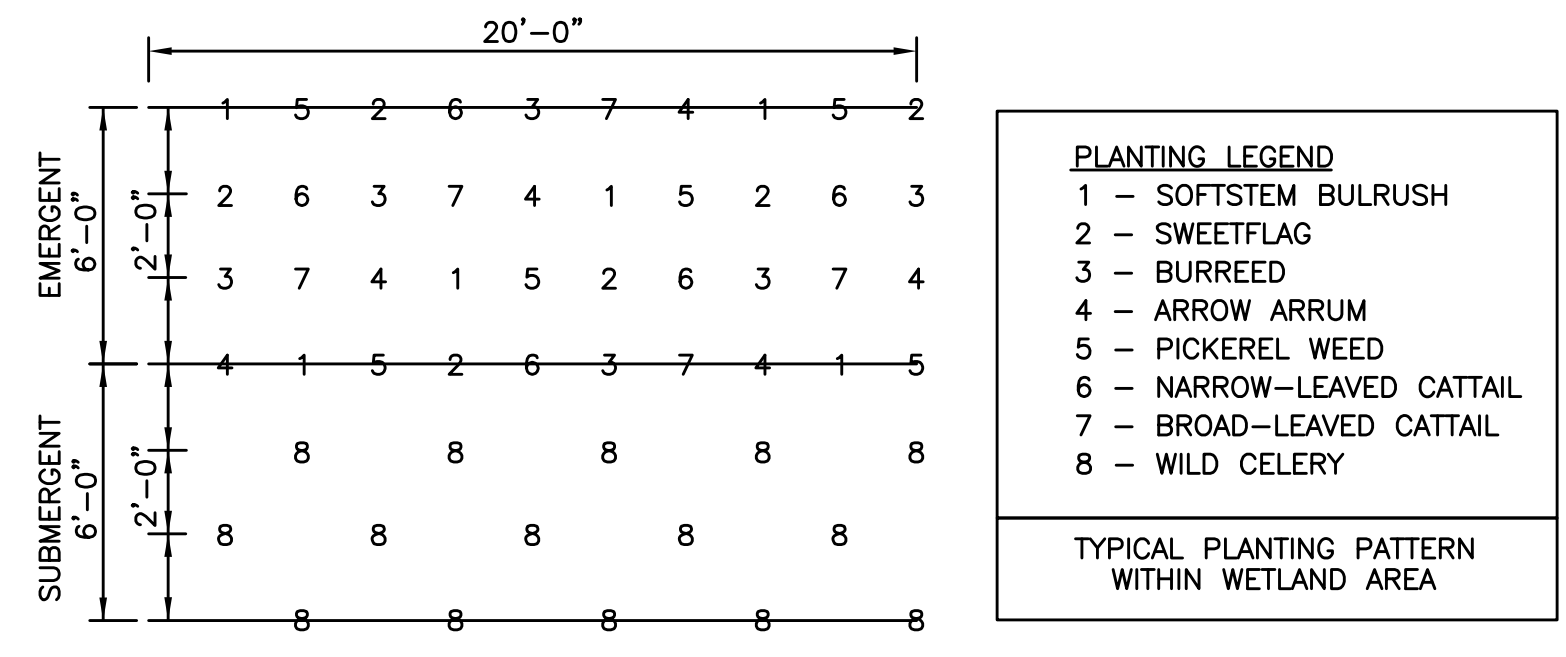
**E** TYPICAL PLANTING ZONE SECTION  
C-1 NOT TO SCALE



**9** TYPICAL FISH POD DETAIL  
C-1 NOT TO SCALE



TYPICAL WOOD PLANTING PATTERN  
NOT TO SCALE



TYPICAL WETLAND PLANTING SCHEDULE  
NOT TO SCALE

**RECORD DRAWING**

THESE DRAWINGS HAVE BEEN REVISED TO REFLECT MAJOR CHANGES, IF ANY, WHICH OCCURRED DURING CONSTRUCTION. REVISIONS ARE BASED UPON INFORMATION FURNISHED BY CONTRACTOR.

DATE: \_\_\_\_\_ PER: \_\_\_\_\_

IT IS A VIOLATION OF NEW YORK STATE LAW FOR ANY PERSON, UNLESS ACTING UNDER THE DIRECTION OF A LICENSED PROFESSIONAL ENGINEER, TO ALTER AN ITEM ON THIS DRAWING IN ANY WAY, IF AN ITEM IS ALTERED, THE ALTERING ENGINEER SHALL AFFIX TO THE ITEM HIS SEAL AND THE NOTATION "ALTERED BY" FOLLOWED BY HIS SIGNATURE AND THE DATE OF SUCH ALTERATION, AND A SPECIFIC DESCRIPTION OF THE ALTERATION.

DWG FILE: P:\732980\CAD\RECORD\32980C11.DWG PLOT FACTOR: 1=1

NOTICE  
THIS DRAWING, THE PROPERTY OF ALLIEDSIGNAL IS FURNISHED SUBJECT TO RETURN ON DEMAND AND THE CONDITION THAT THE INFORMATION AND TECHNOLOGY EMBODIED HEREIN SHALL NOT BE DISCLOSED OR USED AND THE DRAWING SHALL NOT BE REPRODUCED OR COPIED IN WHOLE OR IN PART EXCEPT AS PREVIOUSLY AUTHORIZED IN WRITING. ANY PERSON WHO MAY RECEIVE OR OBSERVE THIS DESIGN WILL BE HELD STRICTLY LIABLE FOR ANY VIOLATION WHETHER WILLFUL OR NEGLIGENT.

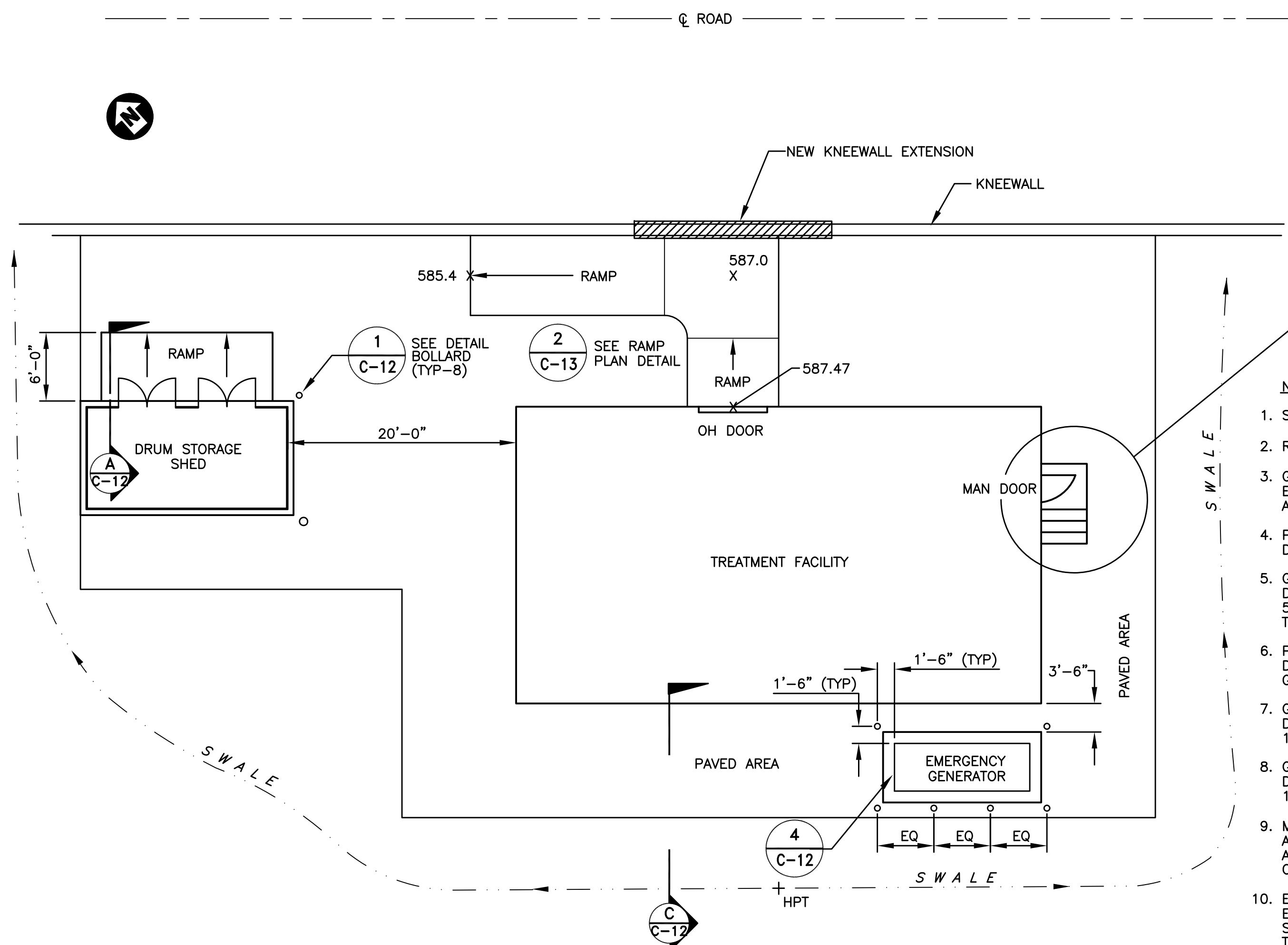
**PARSONS ENGINEERING SCIENCE, INC.**

REV. NO.	APPROVED FOR SAFETY
	DATE _____
	DATE _____
	DATE _____
	DATE _____
	DATE _____

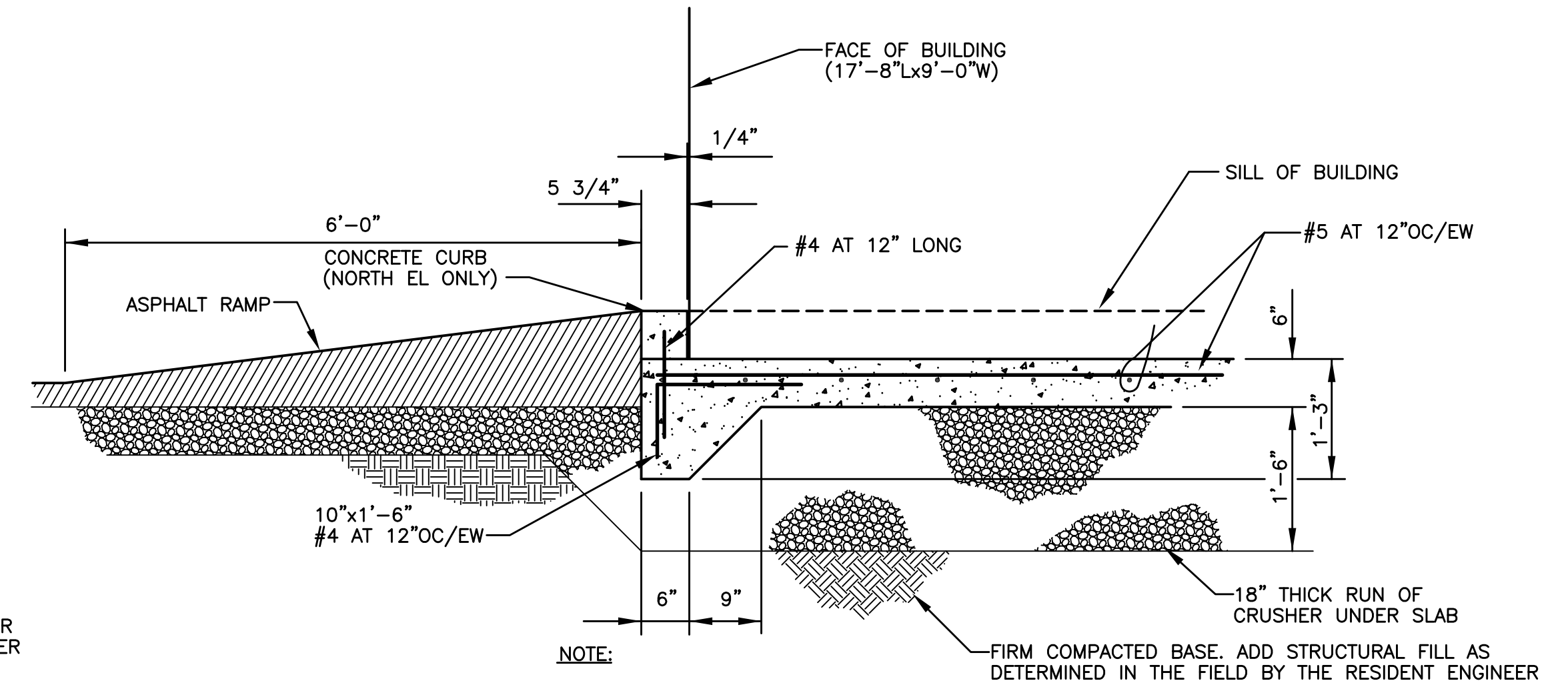
NO.	REVISION	BY	APPR.	APPR.	APPR.	APPR.	DATE
1	RECORD DRAWING						
0	ISSUED FOR CONSTRUCTION	EWM					5/11/98

REFERENCE	DWG. NO.	APPROVALS	DATE

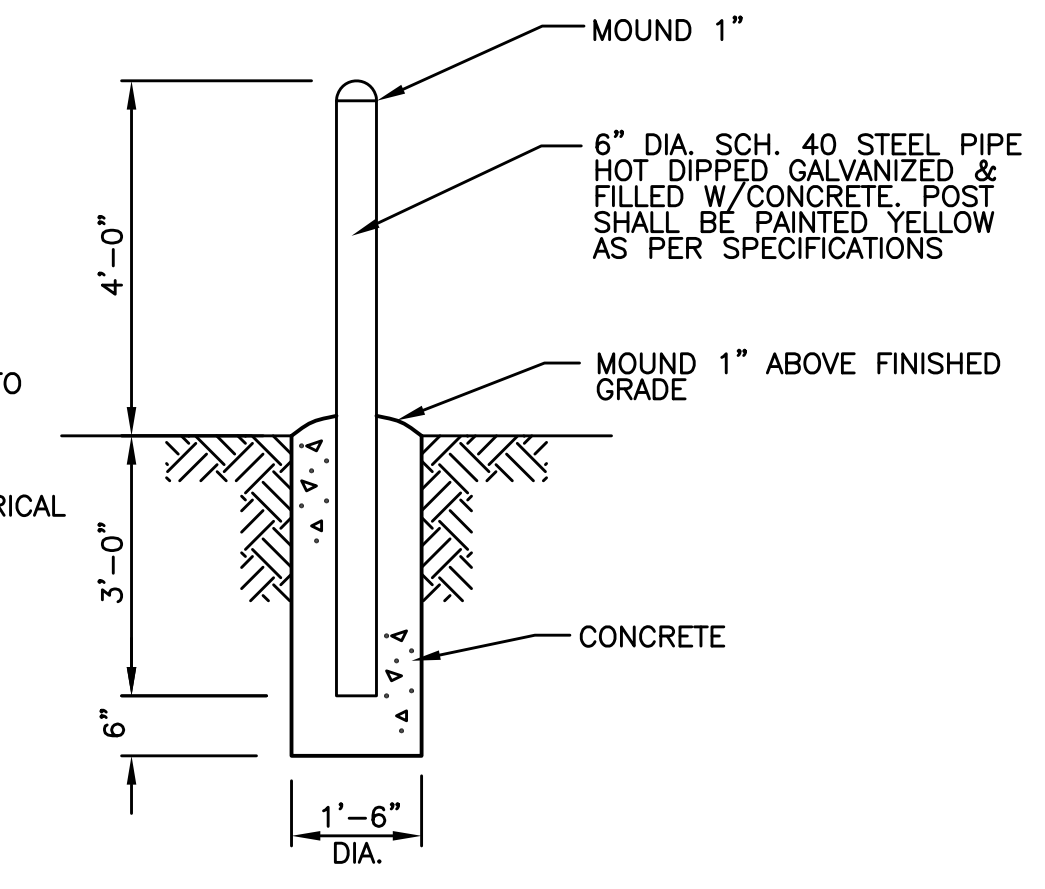
JOB NO. _____	BLDG/AREA _____	APP. NO. _____	SCALE _____
<b>HABITAT DETAILS</b>			
EQUIP. NO. _____		INV. NO. _____	
<b>AlliedSignal</b>		<b>MORRISTOWN, NJ</b>	
DRAWN	DATE	CHK.	DATE
C-11		435802	



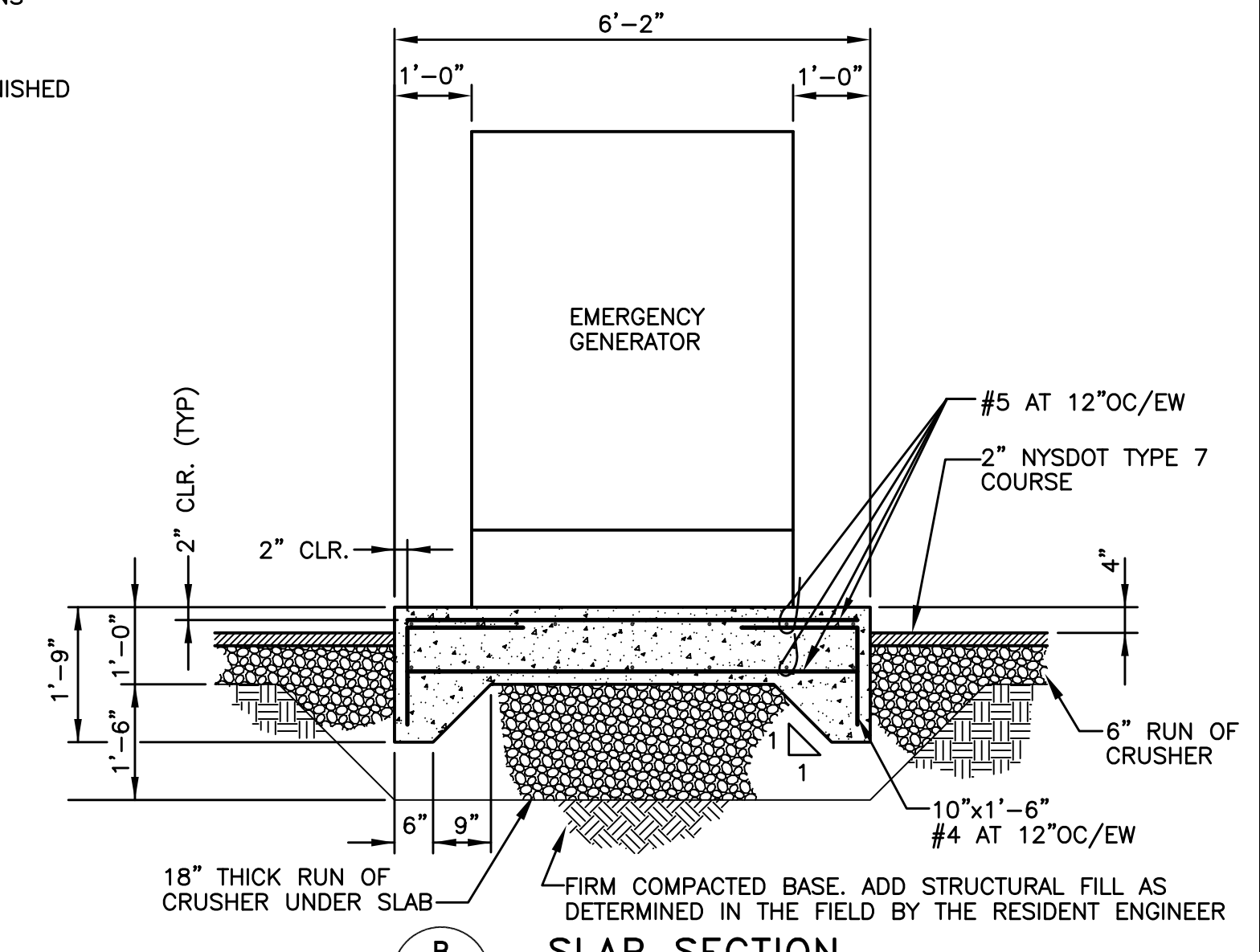
- NOTES:**
1. SLOPE SWALE 1/8" / FT. DRAIN TO ROAD.
  2. REFER TO TYPICAL DETAIL FOR PAVEMENT.
  3. GENERAL CONTRACTOR TO FILL IN VOIDS UNDER EDGE OF EXISTING SLAB WITH RUN OF CRUSHER AND COMPACT, DUE TO EROSION.
  4. PROVIDE SPLASH BLOCKS AT ALL BUILDING DOWNSPOUTS.
  5. GENERAL CONTRACTOR TO FIELD LOCATE DRUM STORAGE SHED SO THAT THERE IS 5 FT MIN CLEARANCE FROM FACE OF SHED TO ABOVE GROUND PIPING.
  6. PROVIDE POSITIVE DRAINAGE AWAY FROM DRUM STORAGE SHED AND EMERGENCY GENERATOR.
  7. GENERAL CONTRACTOR TO VERIFY THAT OUTSIDE DIMENSIONS OF DRUM STORAGE SHED ARE 17'-8"x9'-0"x8'-8" HIGH.
  8. GENERAL CONTRACTOR TO VERIFY THAT OUTSIDE DIMENSIONS OF EMERGENCY GENERATOR ARE 11'-10"x4'-2"x6'-4" HIGH.
  9. MOUNT EMERGENCY GENERATOR TO CONCRETE PAD IN ACCORDANCE WITH MANUFACTURER RECOMMENDATIONS. ANCHOR BOLTS SHALL BE LOCATED AND EMBEDDED INTO CONCRETE PAD DURING FABRICATION.
  10. ELECTRICAL CONDUIT SHALL BE FIELD ROUTED FROM EMERGENCY GENERATOR TO TREATMENT FACILITY ELECTRICAL SUPPLY. SEE DRAWING E-1 FOR CONDUIT SIZE AND TIE-IN LOCATION SCHEMATIC.



**A**  
C-12  
3/4" = 1'-0"

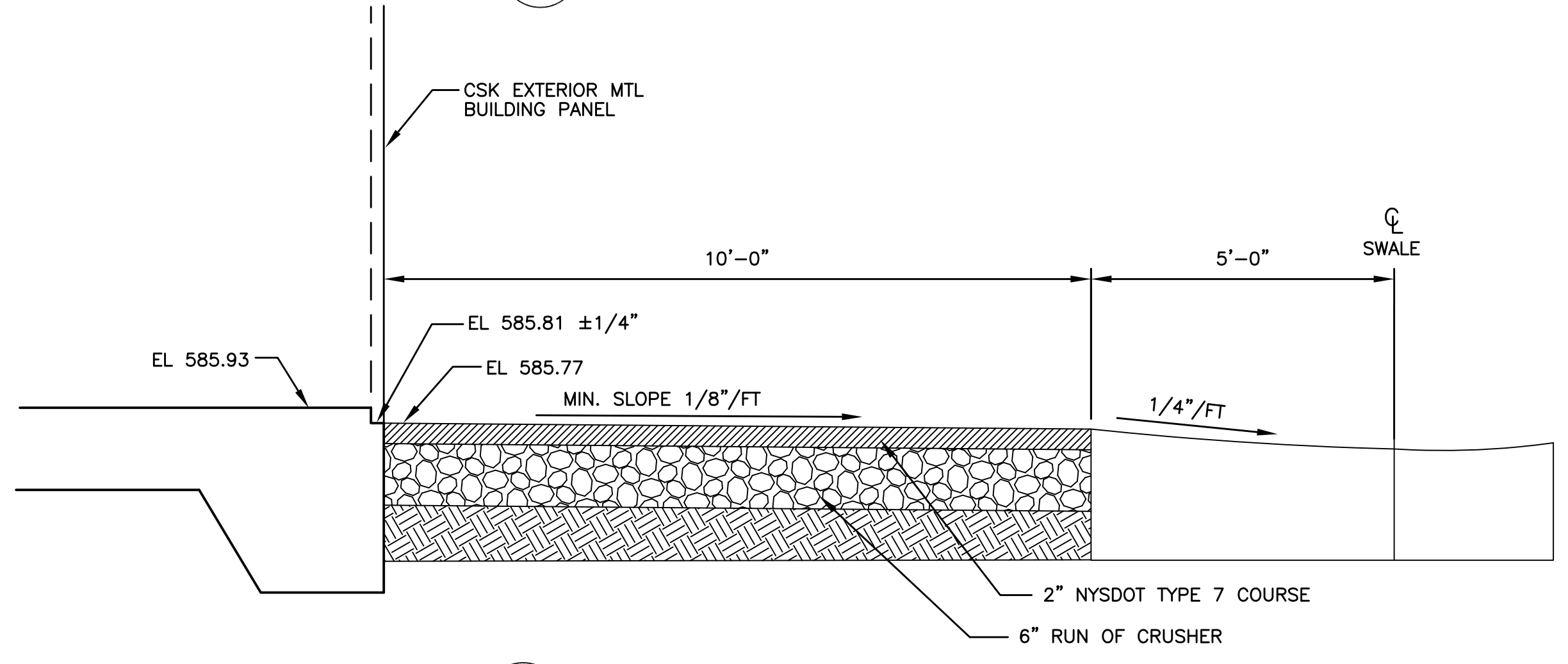


**1**  
C-12  
NOT TO SCALE

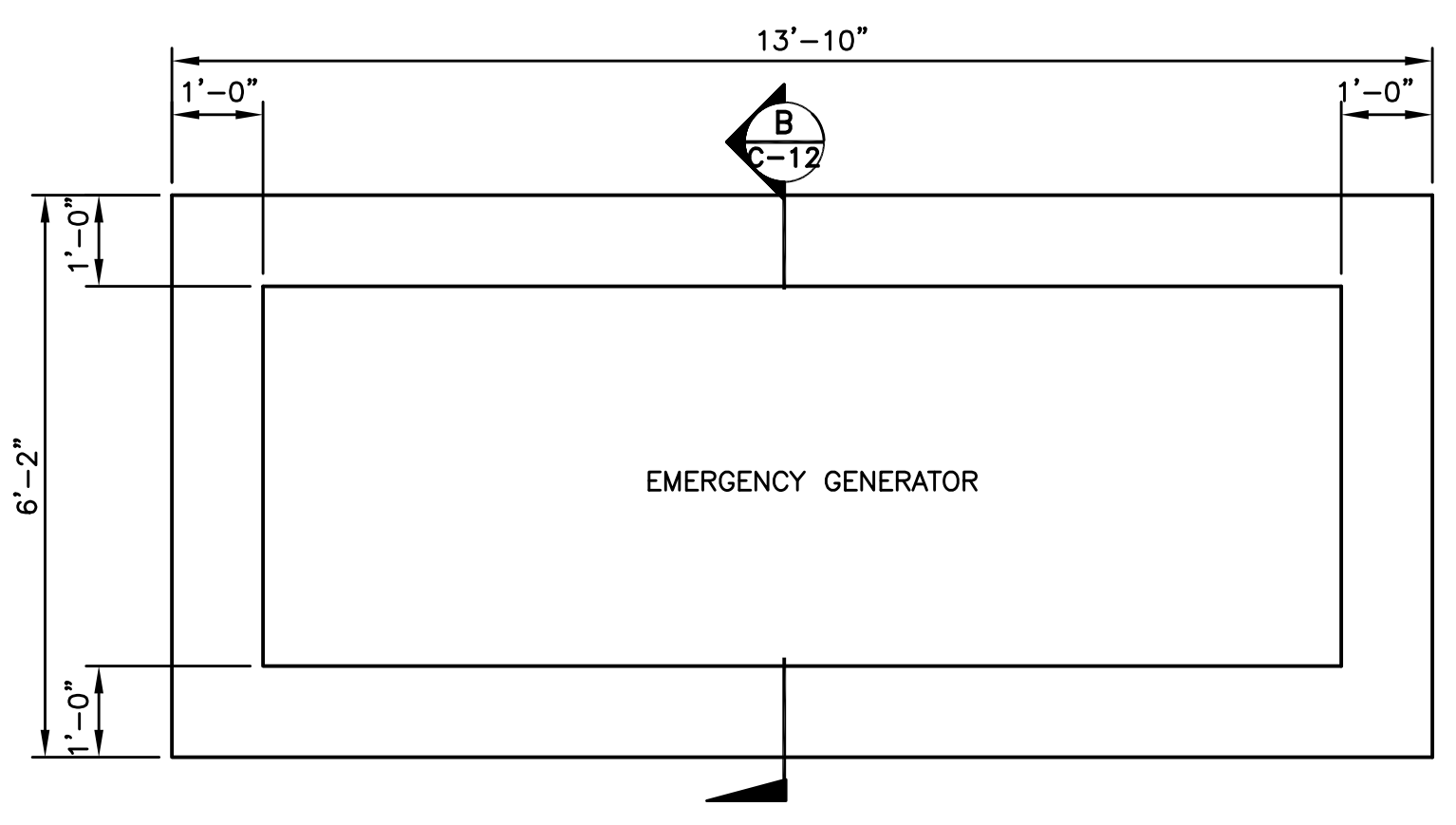


**B**  
C-12  
1/2" = 1'-0"

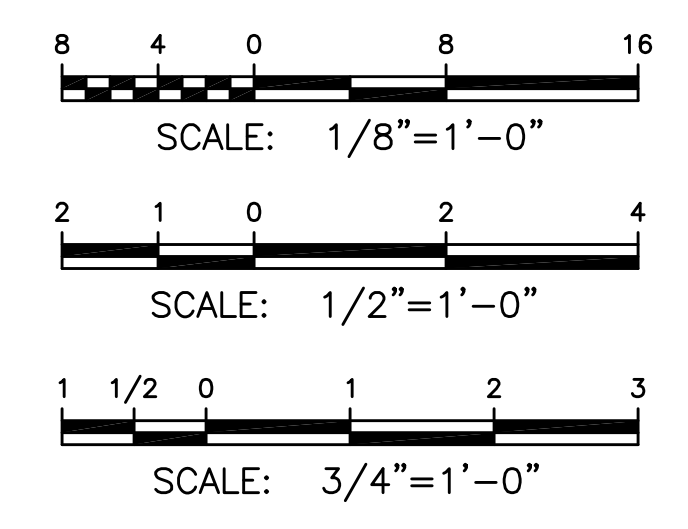
**10**  
C-1  
1/8" = 1'-0"



**C**  
C-12  
NOT TO SCALE



**4**  
C-12  
1/2" = 1'-0"



**RECORD DRAWING**

THESE DRAWINGS HAVE BEEN REVISED TO REFLECT MAJOR CHANGES, IF ANY, WHICH OCCURRED DURING CONSTRUCTION. REVISIONS ARE BASED UPON INFORMATION FURNISHED BY CONTRACTOR.

DATE: \_\_\_\_\_ PER: \_\_\_\_\_

NOTE: IT IS A VIOLATION OF NEW YORK STATE LAW FOR ANY PERSON, UNLESS ACTING UNDER THE DIRECTION OF A LICENSED PROFESSIONAL ENGINEER, TO ALTER AN ITEM ON THIS DRAWING IN ANY WAY. IF AN ITEM IS ALTERED, THE ALTERING ENGINEER SHALL AFFIX TO THE ITEM HIS SEAL AND THE NOTATION "ALTERED BY" FOLLOWED BY HIS SIGNATURE AND THE DATE OF SUCH ALTERATION, AND A SPECIFIC DESCRIPTION OF THE ALTERATION.

DWG FILE: P:\732980\CAD\RECORD\32980C12.DWG PLOT FACTOR: 1=1

**NOTICE**  
THIS DRAWING, THE PROPERTY OF ALLIEDSIGNAL IS FURNISHED SUBJECT TO RETURN ON DEMAND AND THE CONDITION THAT THE INFORMATION AND TECHNOLOGY EMBODIED HEREIN SHALL NOT BE DISCLOSED OR USED IN WHOLE OR IN PART EXCEPT AS PREVIOUSLY AUTHORIZED IN WRITING. ANY PERSON WHO MAY RECEIVE OR OBSERVE THIS DESIGN WILL BE HELD STRICTLY LIABLE FOR ANY VIOLATION WHETHER WILLFUL OR NEGLIGENT.

**PARSONS ENGINEERING SCIENCE, INC.**

REV. NO.	APPROVED FOR SAFETY
	DATE _____
	DATE _____
	DATE _____
	DATE _____
	DATE _____

NO.	REVISION	BY	APPR.	APPR.	APPR.	APPR.	DATE
1	RECORD DRAWING						
0	ISSUED FOR CONSTRUCTION	EWM					5/14/98

REFERENCE	DWG. NO.	APPROVALS	DATE

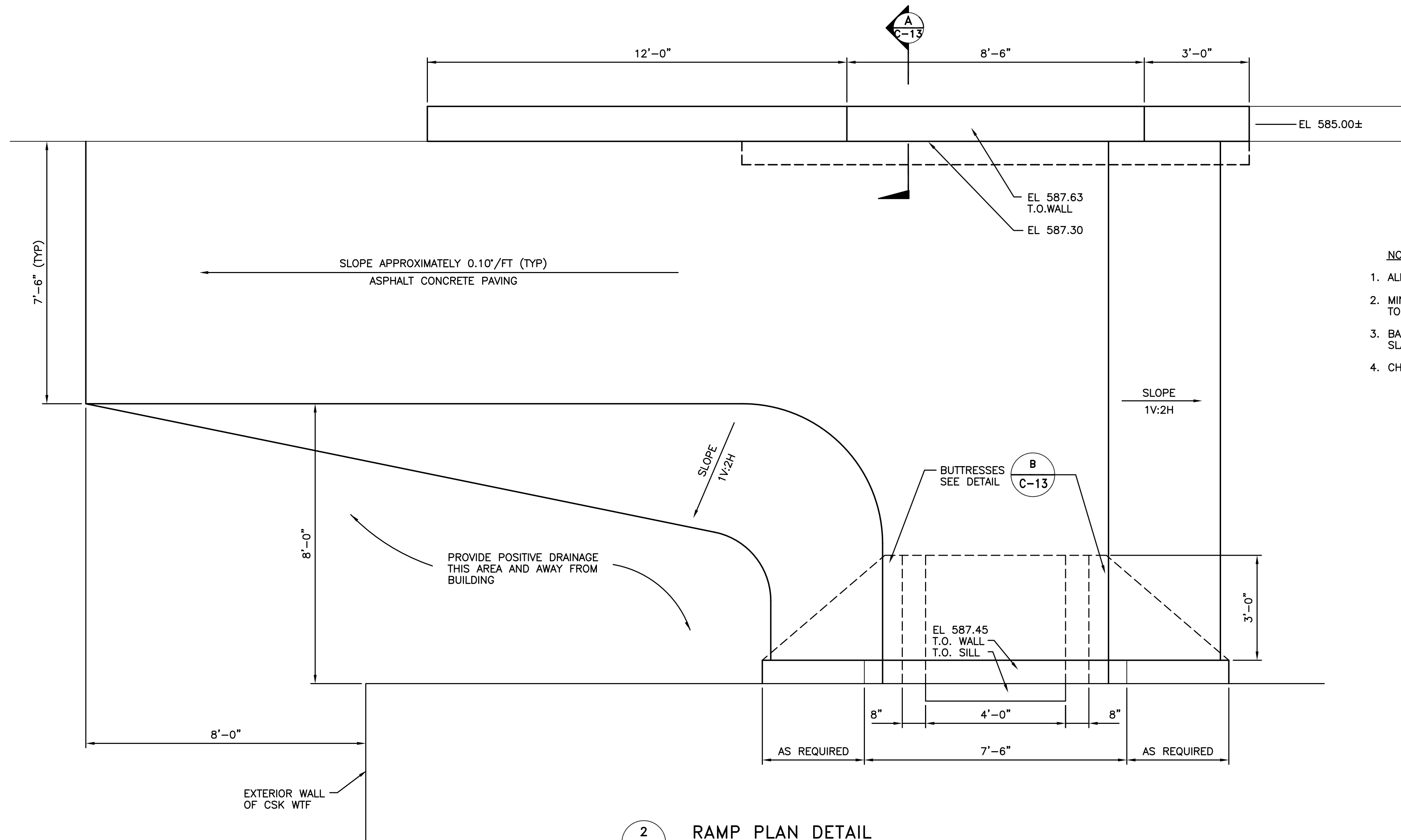
JOB NO.	BLDG/AREA	APP. NO.	SCALE

MISCELLANEOUS DETAILS



DRAWN	DATE	CHK.	DATE
C-12			

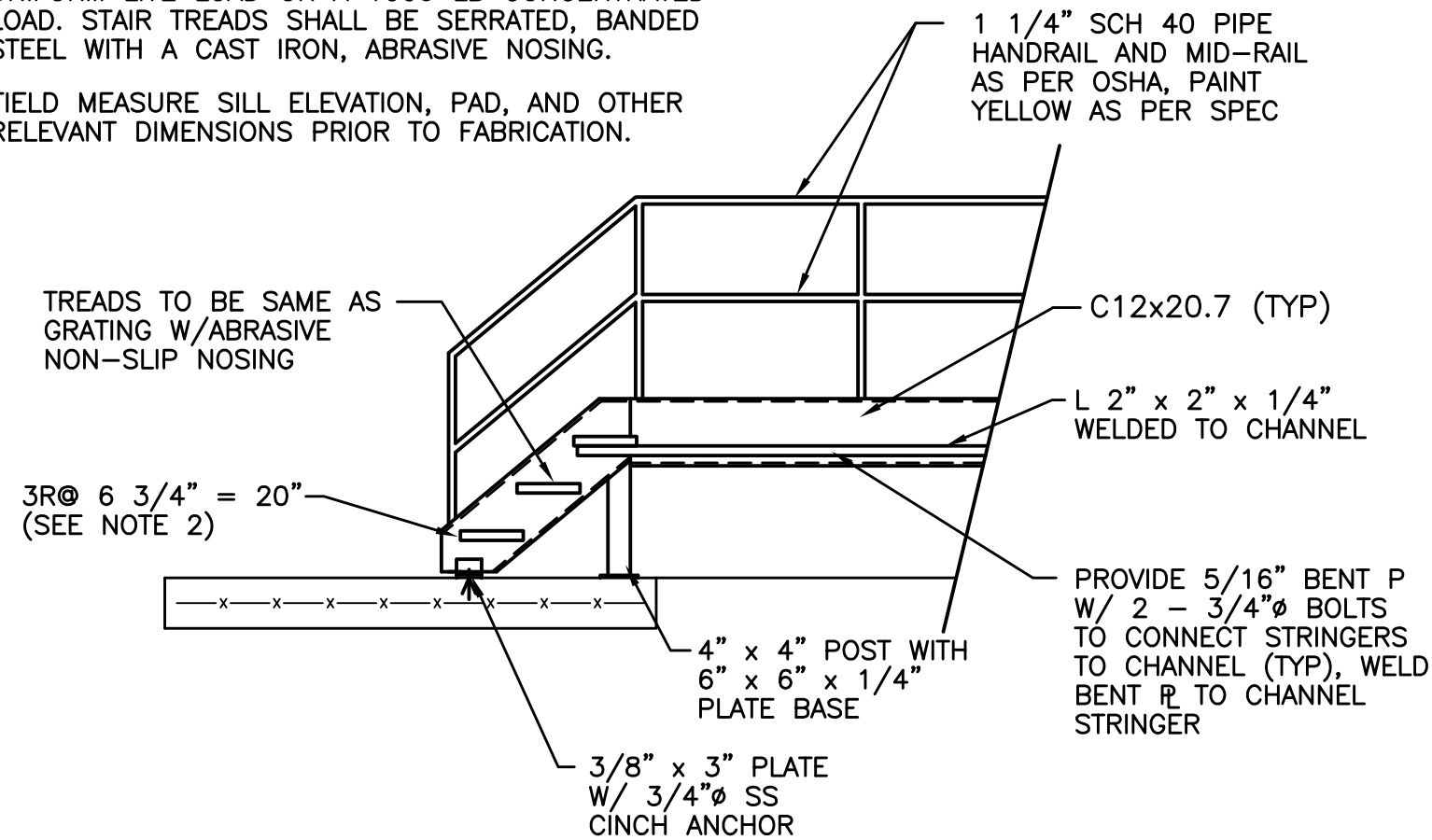
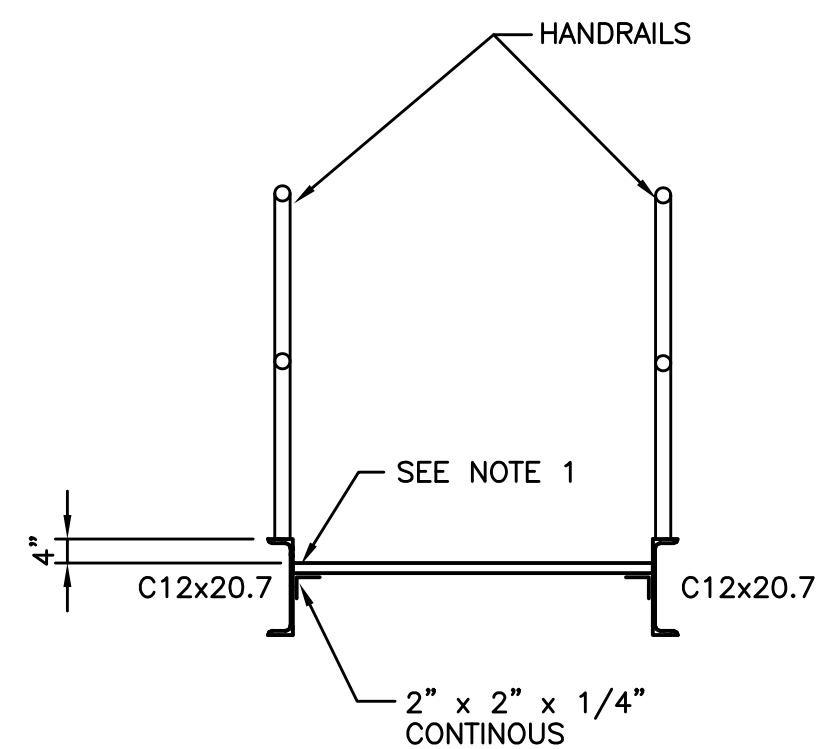
MORRISTOWN, NJ  
435803



**2 RAMP PLAN DETAIL**  
C-12 NOT TO SCALE

**NOTES:**

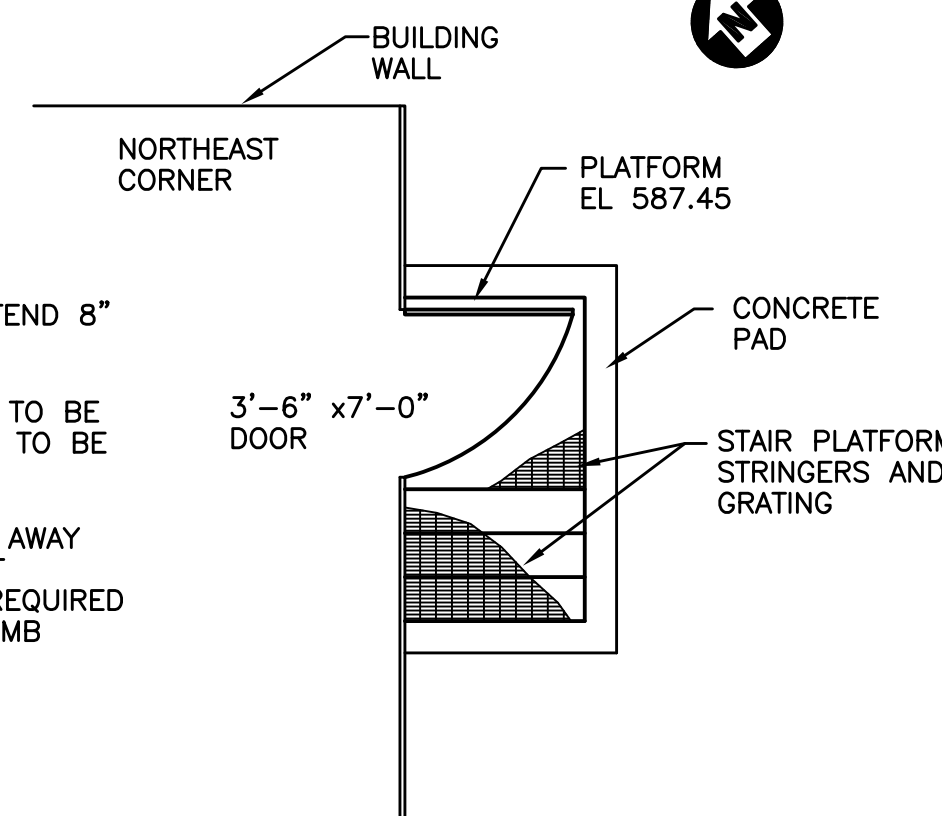
- GRATING SHALL BE CAPABLE OF CARRYING 100 PSF UNIFORM LIVE LOAD OR A 1000 LB CONCENTRATED LOAD. STAIR TREADS SHALL BE SERRATED, BANDED STEEL WITH A CAST IRON, ABRASIVE NOSING.
- FIELD MEASURE SILL ELEVATION, PAD, AND OTHER RELEVANT DIMENSIONS PRIOR TO FABRICATION.



**3 STAIR AND PLATFORM ELEVATION AND PLAN DETAILS**  
C-12 SCALE: 3/8" = 1'-0"

**NOTES:**

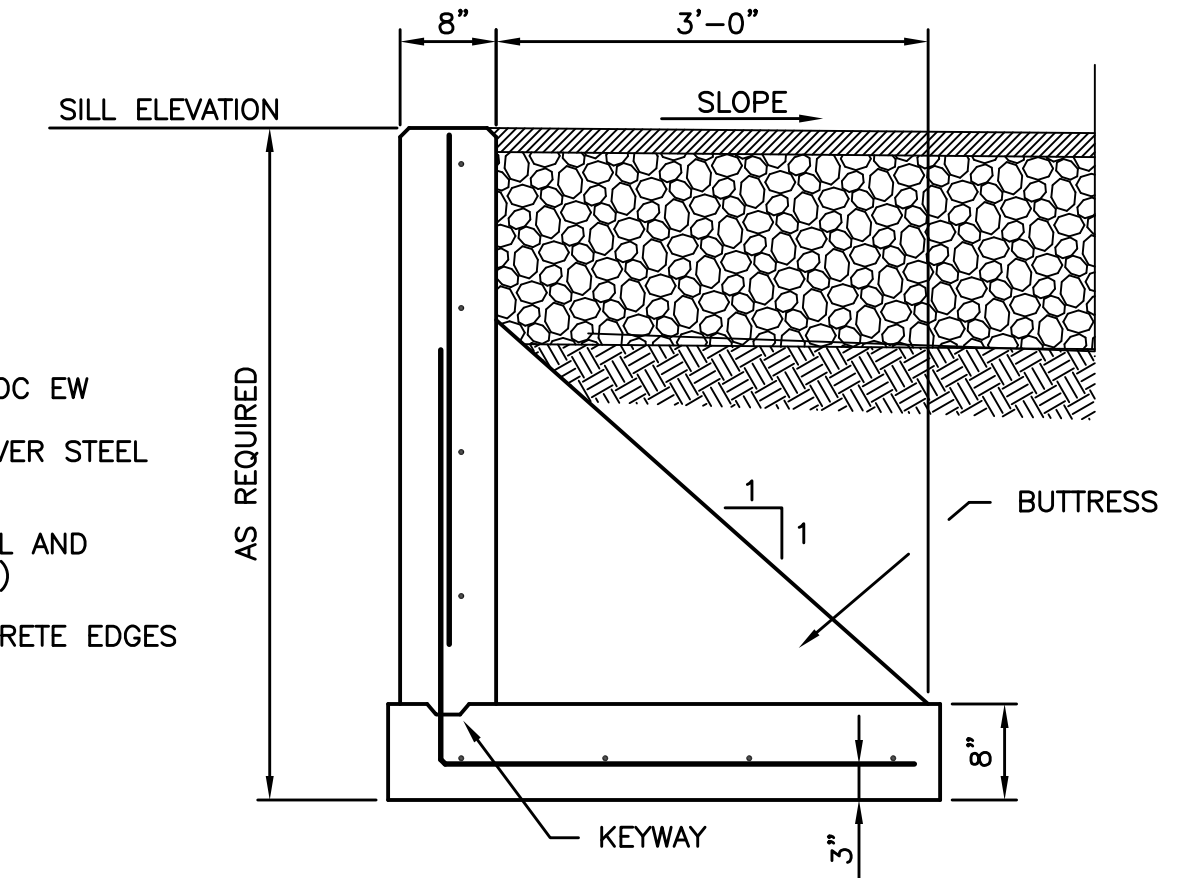
- CONCRETE PAD TO EXTEND 8" FROM PLATFORM
- PLATFORM AND STAIRS TO BE 3'-9" WIDE, PLATFORM TO BE 4'-0" x 3'-9"
- SLOPE CONCRETE PAD AWAY FROM BUILDING. GROUT PLATFORM POSTS AS REQUIRED FOR A LEVEL AND PLUMB INSTALLATION.



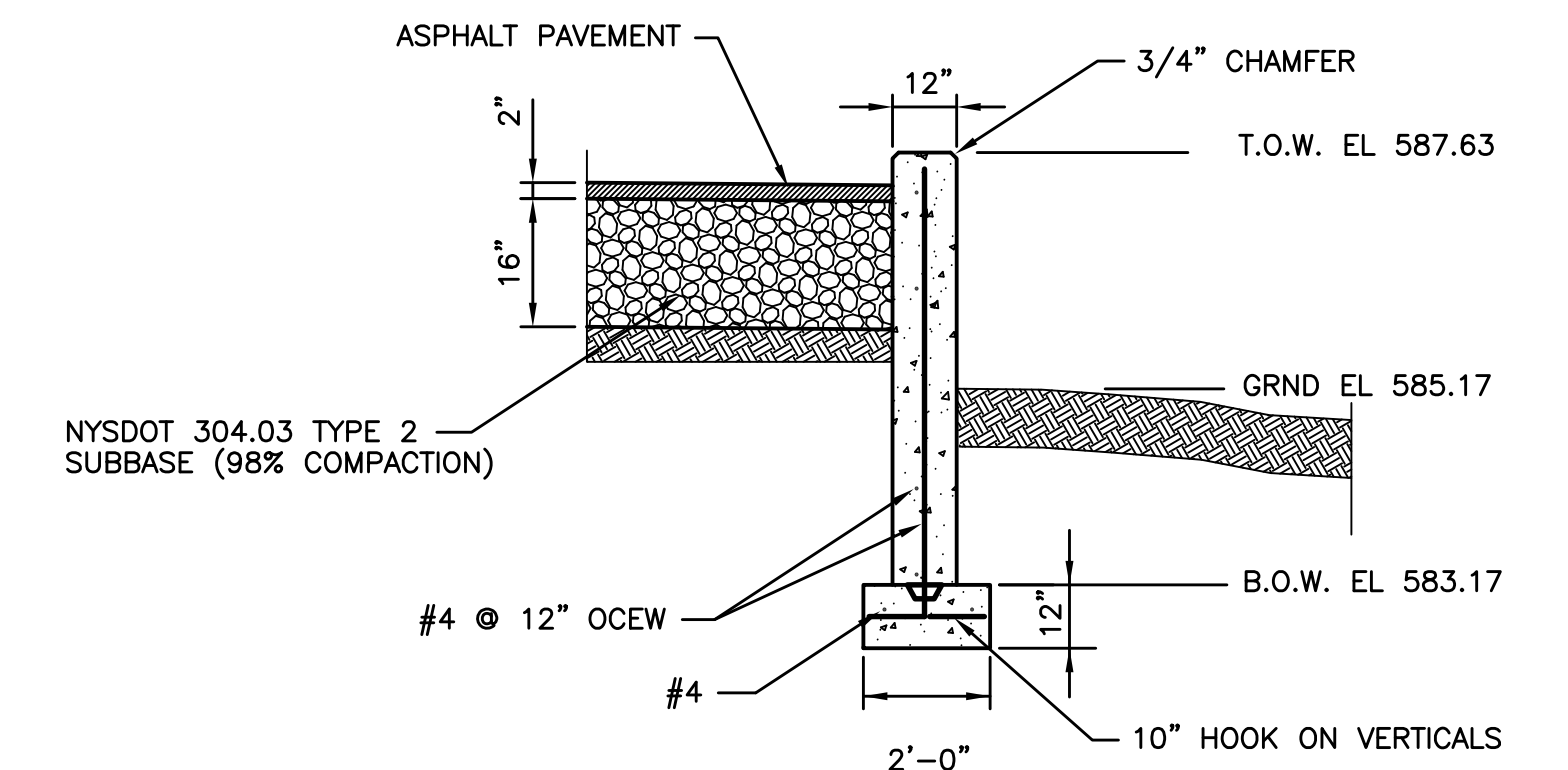
**PLATFORM AND STAIRS PLAN**  
SCALE: 1/4" = 1'-0"

**NOTES:**

- ALL REBAR TO BE #4 @12" OC EW
- MINIMUM CONCRETE COVER OVER STEEL TO BE 2"
- BARS FROM BUTRESS TO WALL AND SLAB TO HAVE 8" HOOK (TYP)
- CHAMFER ALL EXPOSED CONCRETE EDGES



**B BUTRESS DETAIL**  
C-13 NOT TO SCALE



**A NEW KNEEWALL EXTENSION SECTION**  
C-13 SCALE: 1/2" = 1'-0"

**RECORD DRAWING**

THESE DRAWINGS HAVE BEEN REVISED TO REFLECT MAJOR CHANGES, IF ANY, WHICH OCCURRED DURING CONSTRUCTION. REVISIONS ARE BASED UPON INFORMATION FURNISHED BY CONTRACTOR.

DATE: \_\_\_\_\_ PER: \_\_\_\_\_

NOTE:  
IT IS A VIOLATION OF NEW YORK STATE LAW FOR ANY PERSON, UNLESS ACTING UNDER THE DIRECTION OF A LICENSED PROFESSIONAL ENGINEER, TO ALTER AN ITEM ON THIS DRAWING IN ANY WAY. IF AN ITEM IS ALTERED, THE ALTERING ENGINEER SHALL AFFIX TO THE ITEM HIS SEAL AND THE NOTATION "ALTERED BY" FOLLOWED BY HIS SIGNATURE AND THE DATE OF SUCH ALTERATION, AND A SPECIFIC DESCRIPTION OF THE ALTERATION.

DWG FILE: P:\732980\CAD\RECORD\32980C13.DWG

**NOTICE**  
THIS DRAWING, THE PROPERTY OF ALLIEDSIGNAL IS FURNISHED SUBJECT TO RETURN ON DEMAND AND THE CONDITION THAT THE INFORMATION AND TECHNOLOGY EMBODIED HEREIN SHALL NOT BE DISCLOSED OR USED AND THE DRAWING SHALL NOT BE REPRODUCED OR COPIED IN WHOLE OR IN PART EXCEPT AS PREVIOUSLY AUTHORIZED IN WRITING. ANY PERSON WHO MAY RECEIVE OR OBSERVE THIS DESIGN WILL BE HELD STRICTLY LIABLE FOR ANY VIOLATION WHETHER WILLFUL OR NEGLIGENT.

**PARSONS ENGINEERING SCIENCE, INC.**

REV. NO.	APPROVED FOR SAFETY
	DATE _____
	DATE _____
	DATE _____
	DATE _____
	DATE _____

NO.	REVISION	BY	APPR.	APPR.	APPR.	APPR.	DATE
1	RECORD DRAWING						
0	ISSUED FOR CONSTRUCTION	EWM					5/11/98

REFERENCE	DWG. NO.	APPROVALS	DATE

JOB NO.	BLDG/AREA	APP. NO.	SCALE

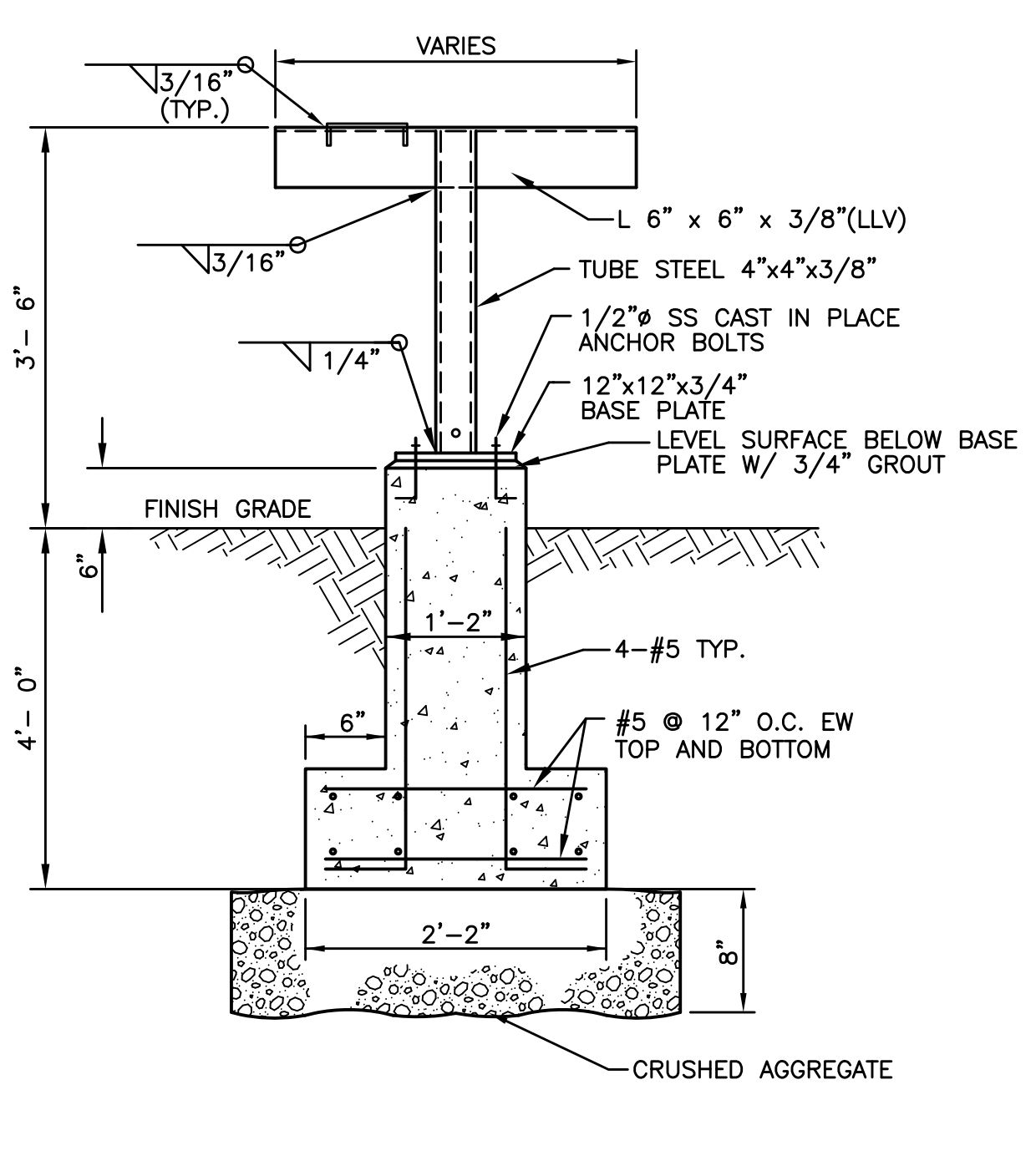
MISCELLANEOUS DETAILS



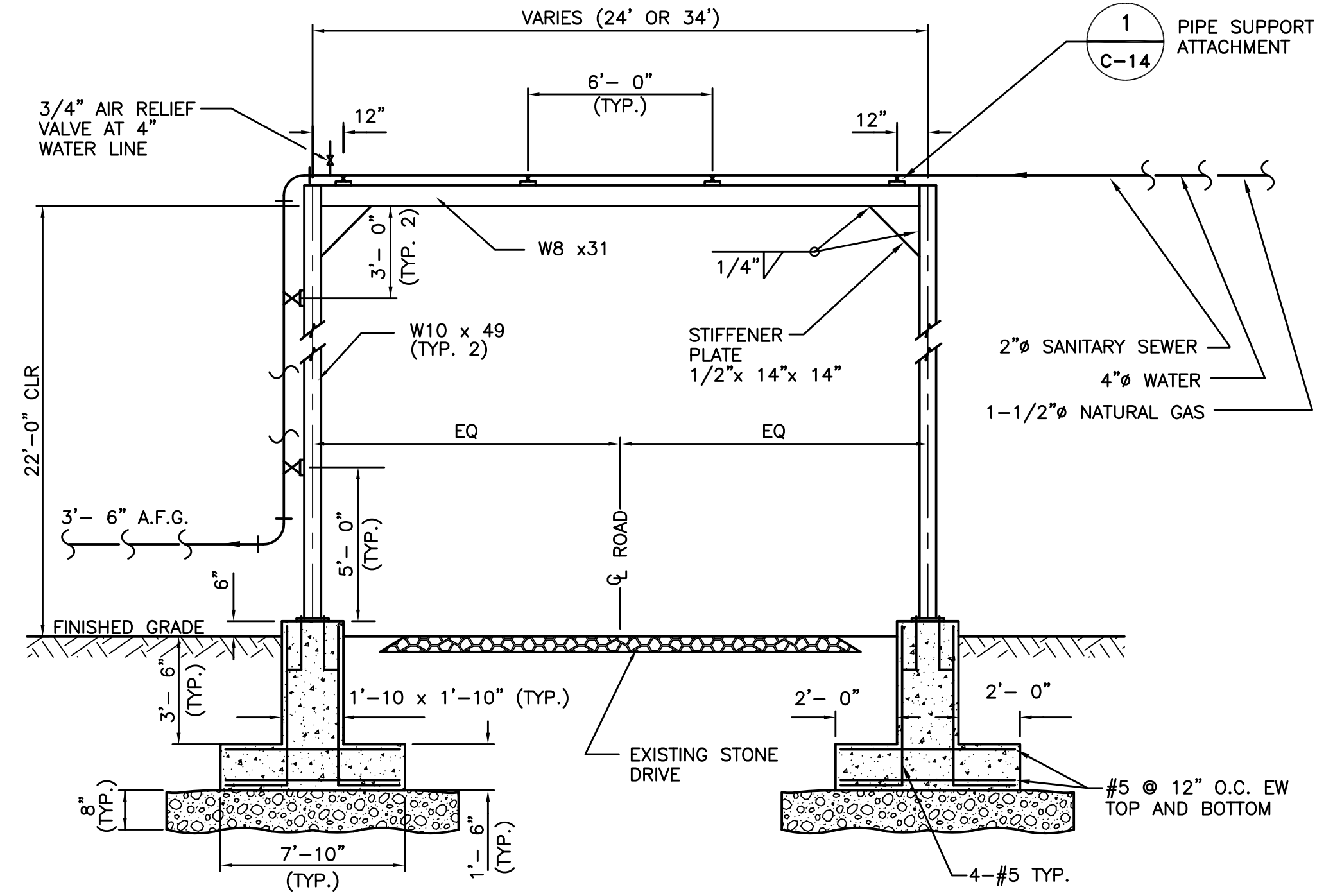
DRAWN	DATE	CHK.	DATE
C-13			

MORRISTOWN, NJ

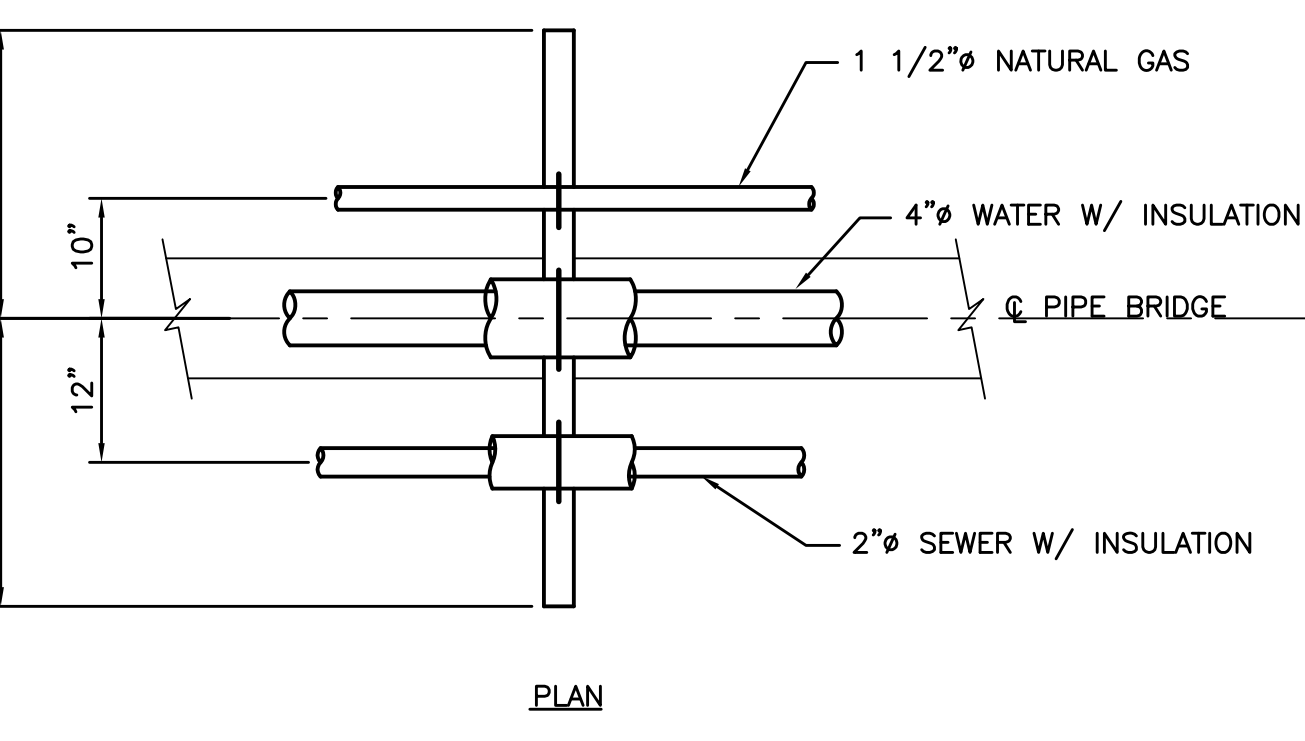
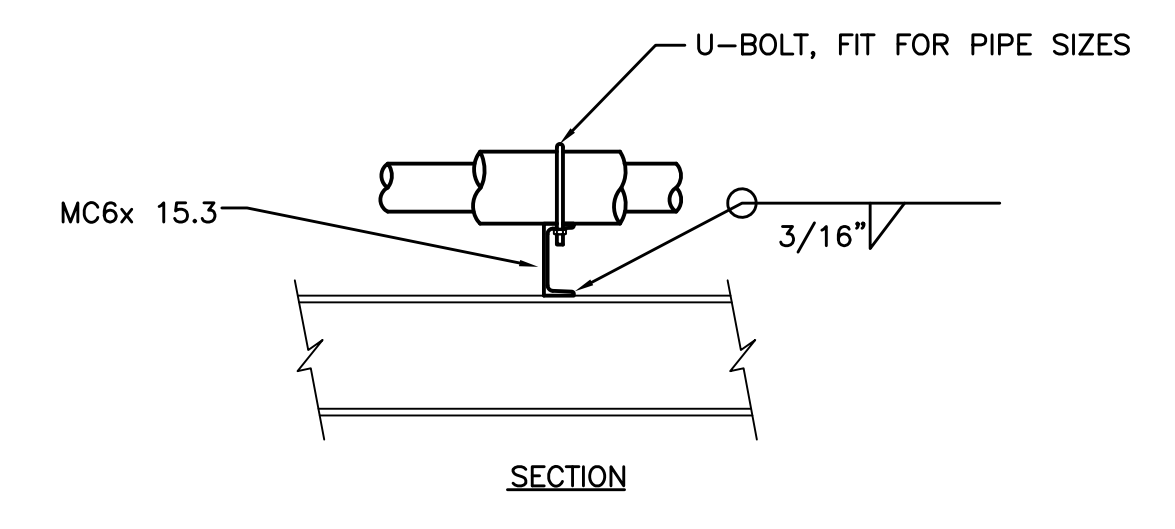
435804



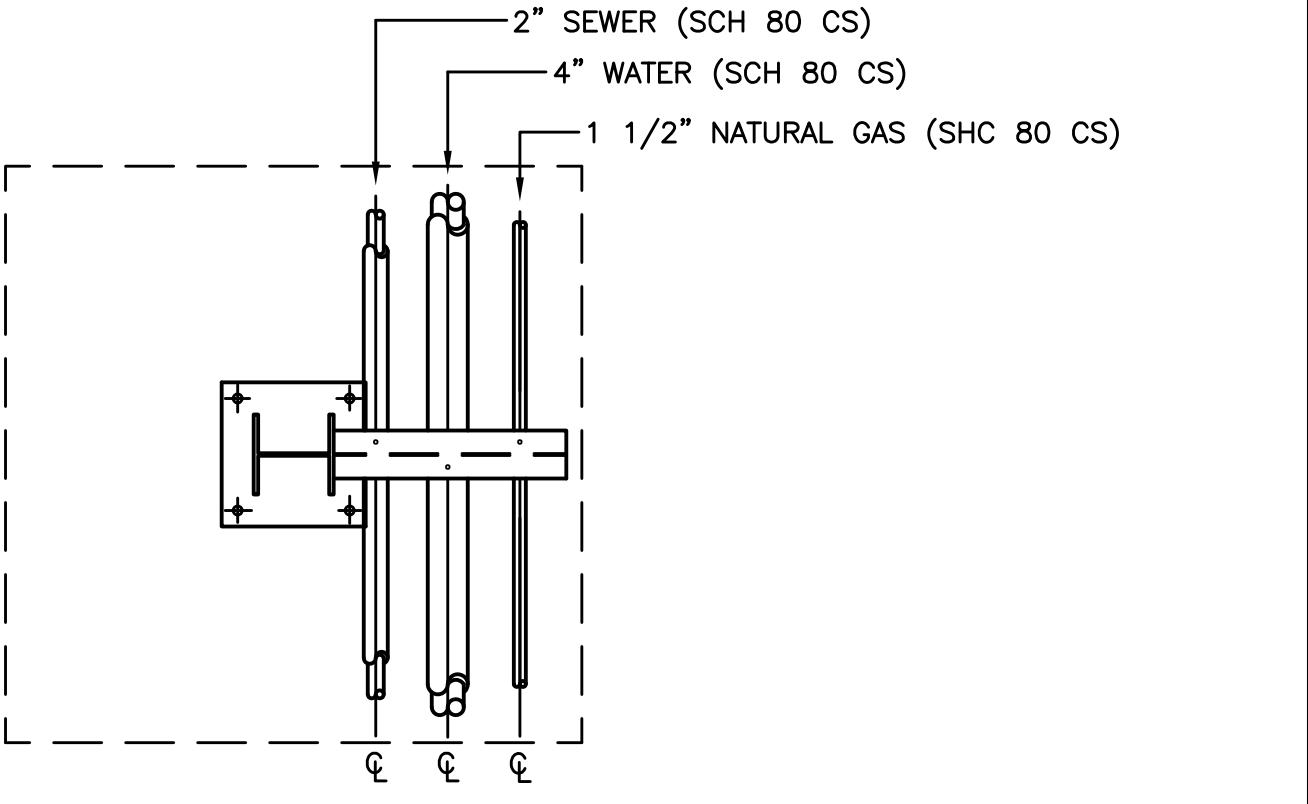
11 TYPICAL YARD PIPE SUPPORT DETAIL  
C-1 NOT TO SCALE



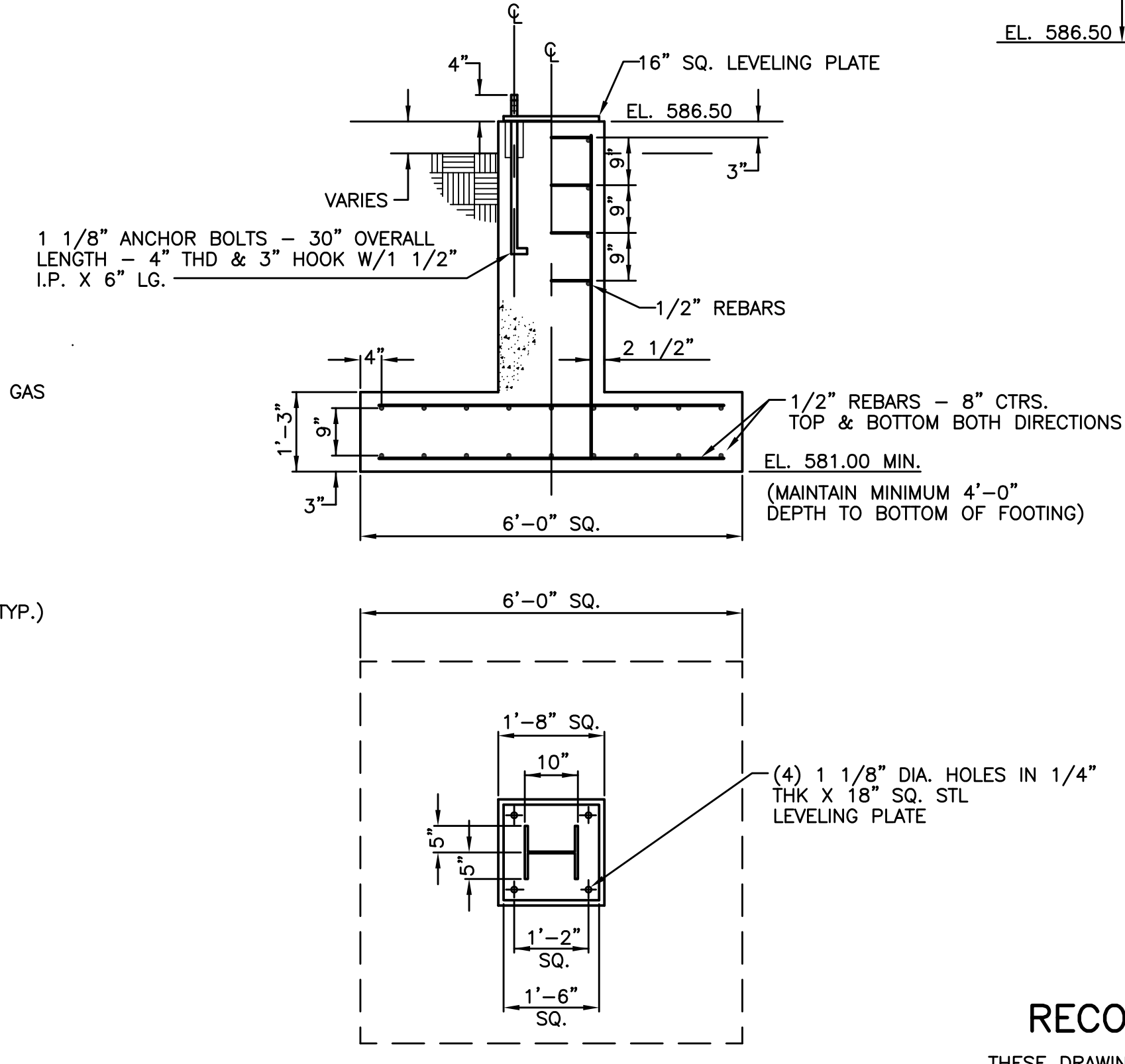
14 PIPE BRIDGE AT ROAD CROSSING DETAIL  
C-1 NOT TO SCALE



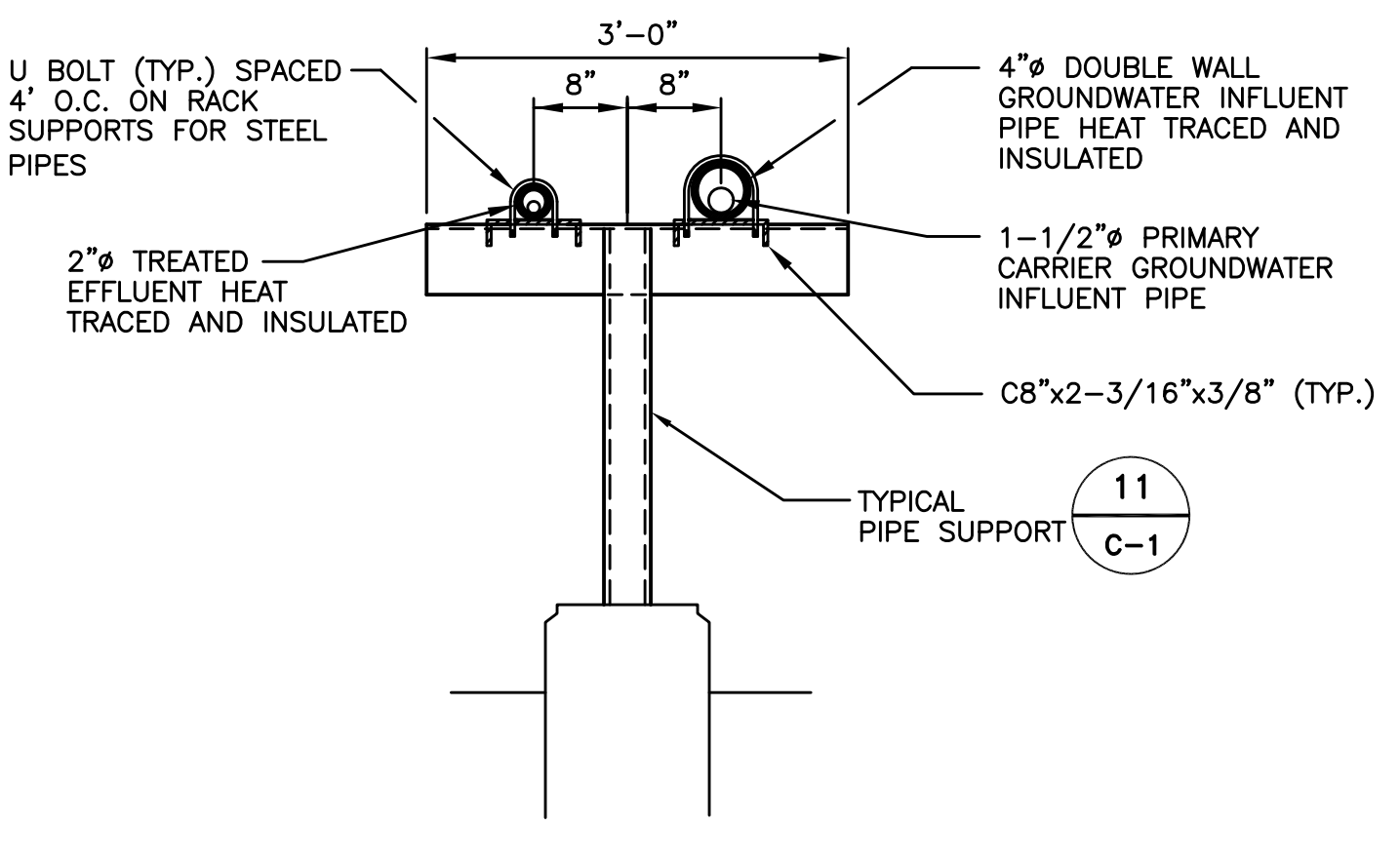
1 TYPICAL PIPE SUPPORT ATTACHMENT  
C-14 NOT TO SCALE



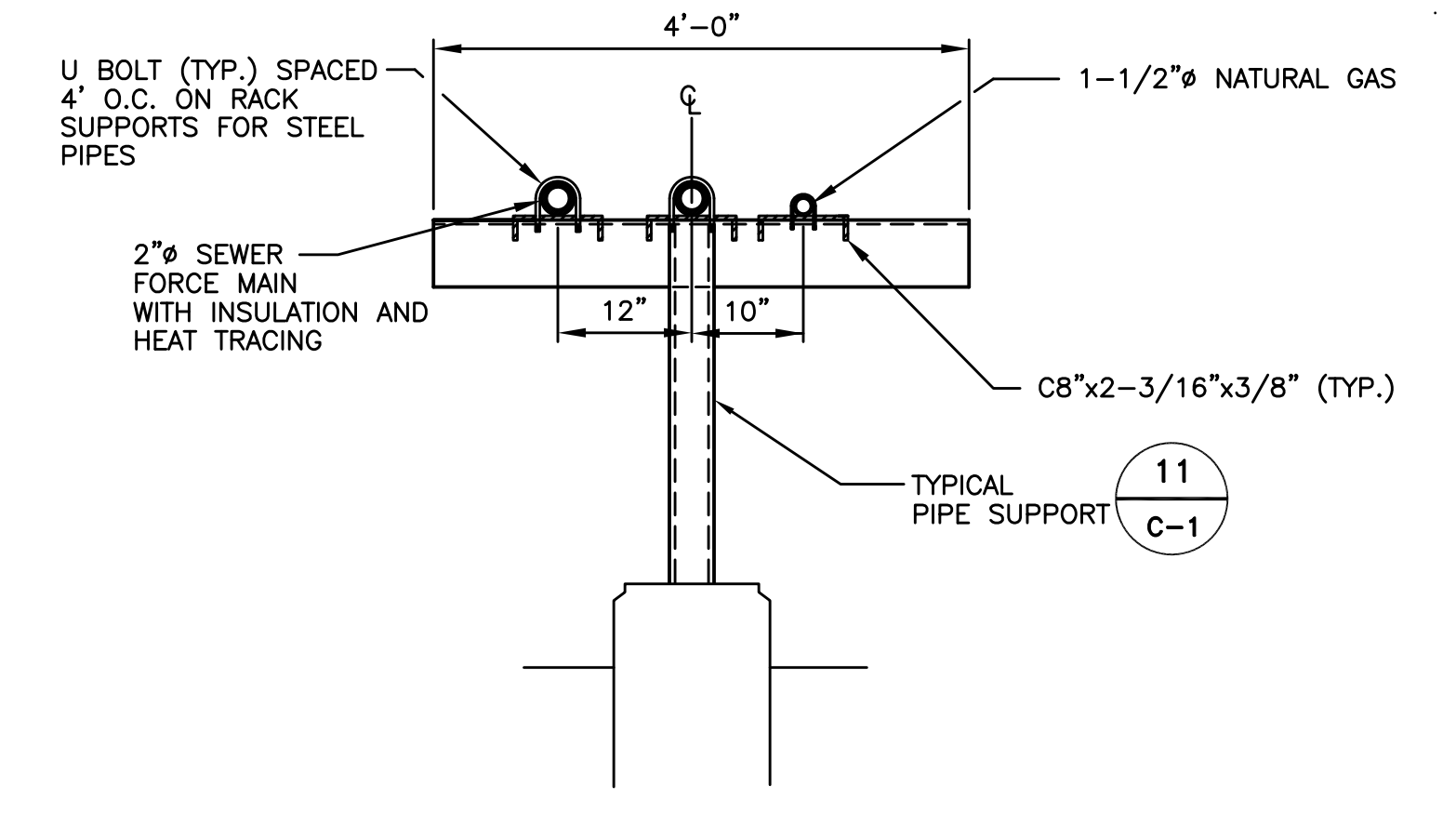
15 PIPE STANCHION DETAIL  
C-1 NOT TO SCALE



16 PIPE STANCHION BASE DETAIL  
C-1 NOT TO SCALE



12 PROCESS YARD PIPE SUPPORT DETAIL  
C-1 NOT TO SCALE



13 UTILITIES YARD PIPE SUPPORT DETAIL  
C-1 NOT TO SCALE

RECORD DRAWING

THESE DRAWINGS HAVE BEEN REVISED TO REFLECT MAJOR CHANGES, IF ANY, WHICH OCCURRED DURING CONSTRUCTION. REVISIONS ARE BASED UPON INFORMATION FURNISHED BY CONTRACTOR.

IT IS A VIOLATION OF NEW YORK STATE LAW FOR ANY PERSON, UNLESS ACTING UNDER THE DIRECTION OF A LICENSED PROFESSIONAL ENGINEER, TO ALTER AN ITEM ON THIS DRAWING IN ANY WAY. IF AN ITEM IS ALTERED, THE ALTERING ENGINEER SHALL AFFIX TO THE ITEM HIS SEAL AND THE NOTATION "ALTERED BY" FOLLOWED BY HIS SIGNATURE AND THE DATE OF SUCH ALTERATION, AND A SPECIFIC DESCRIPTION OF THE ALTERATION.

DWG FILE: P:\732980\CAD\RECORD\32980C14.DWG PLOT FACTOR: 1"=4'

<p>NOTICE</p> <p>THIS DRAWING, THE PROPERTY OF ALLIEDSIGNAL IS FURNISHED SUBJECT TO RETURN ON DEMAND AND THE CONDITION THAT THE INFORMATION AND TECHNOLOGY EMBODIED HEREIN SHALL NOT BE DISCLOSED OR USED AND THE DRAWING SHALL NOT BE REPRODUCED OR COPIED IN WHOLE OR IN PART EXCEPT AS PREVIOUSLY AUTHORIZED IN WRITING. ANY PERSON WHO MAY RECEIVE OR OBSERVE THIS DESIGN WILL BE HELD STRICTLY LIABLE FOR ANY VIOLATION WHETHER WILLFUL OR NEGLIGENT.</p>	<p><b>PARSONS ENGINEERING SCIENCE, INC.</b></p> <p>BUFFALO, N.Y.</p> <p>(716) 633-7074</p>	REV. NO.	APPROVED FOR SAFETY	NO.	REVISION	BY	APPR.	APPR.	APPR.	APPR.	DATE	REFERENCE	DWG. NO.	APPROVALS	DATE	JOB NO. 32207	<p>YARD PIPING DETAILS</p>		
			DATE															BLDG/AREA	
			DATE																APP. NO.
			DATE			1	RECORD DRAWING						5/11/98						EQUIP. NO.
			DATE			0	ISSUED FOR CONSTRUCTION	GTC											INV. NO.

**AlliedSignal**

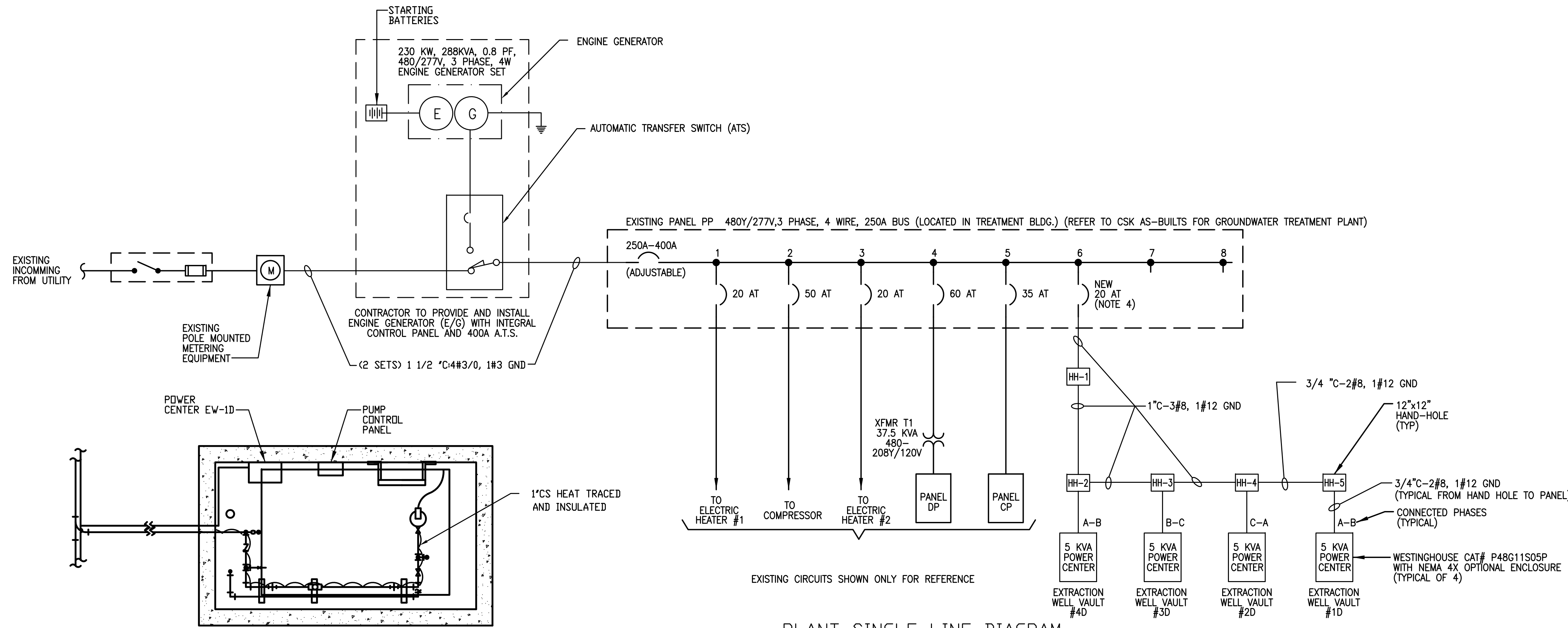
MORRISTOWN, NJ

DRAWN: C-14

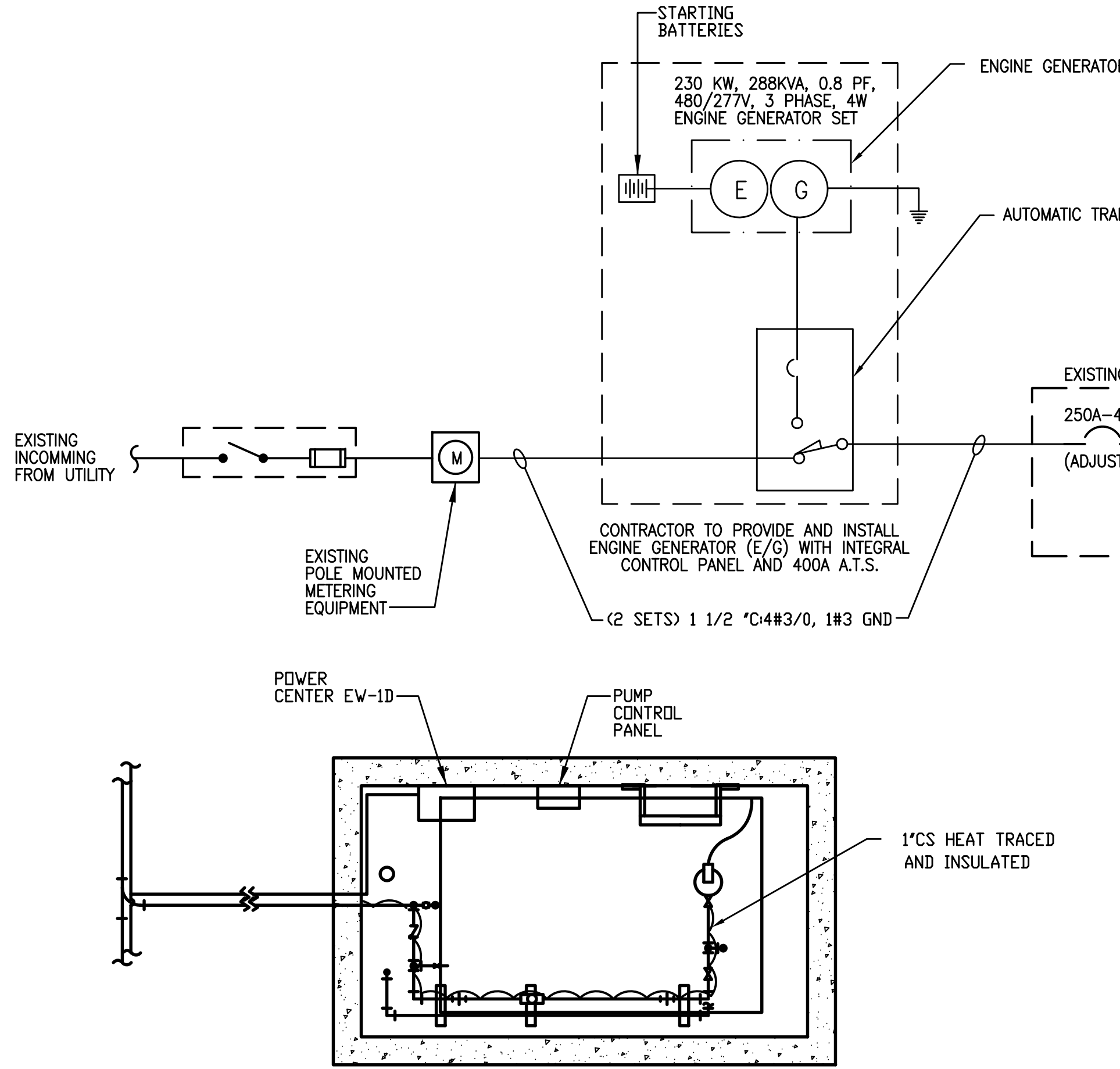
DATE: 5/11/98

CHK: 435805

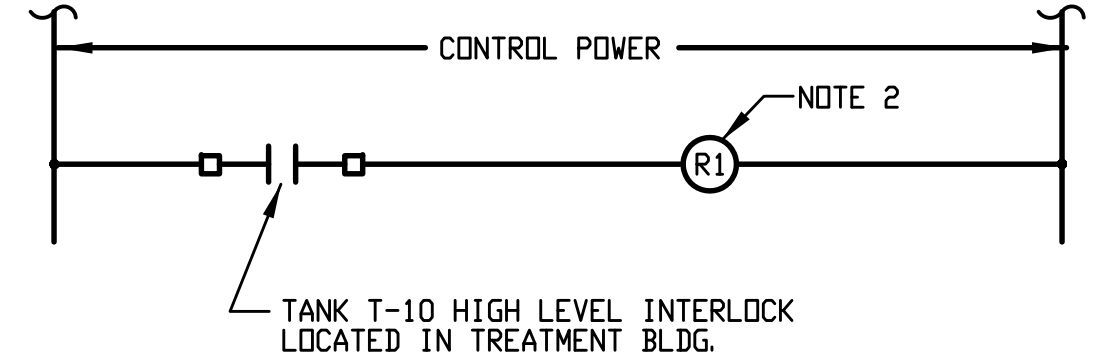
DATE: 5/11/98



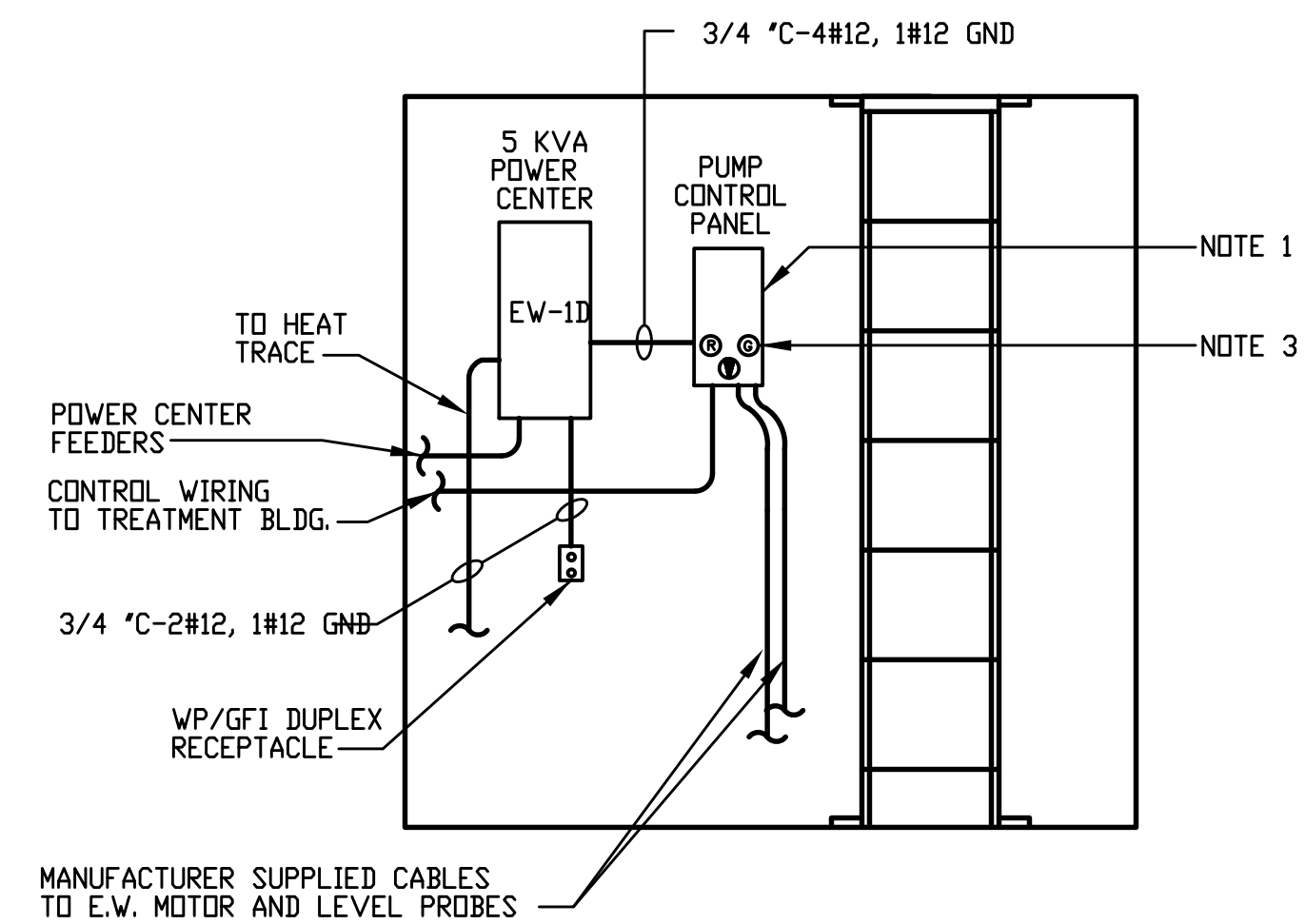
PLANT SINGLE LINE DIAGRAM  
NOT TO SCALE



EXTRACTION WELL PLAN  
NOT TO SCALE  
NOTE:  
HEAT TRACE/INSULATE PROCESS PIPING PER SHEET C-7



MODIFICATIONS TO OWNER  
FURNISHED PUMP CONTROL PANELS  
(TYPICAL OF 4)



EXTRACTION WELL ELEVATION  
NOT TO SCALE

PANEL NO. EV #1D		MFR. WESTINGHOUSE		LOCATION EXTRACTION WELL #1D			
SERVICE VOLTAGE 240/120 VOLTS		TYPE NEMA 4X ENCLOSURE		MOUNTING SURFACE			
BUS RATING 100 AMPS		BUS RATING 100 AMPS		BUS RATING 100 AMPS			
DESCRIPTION	BREAKER POLE / AMP	VOLT AMPS	CIRCUIT NO.	BUS CONN.	VOLT AMPS	BREAKER POLE / AMP	DESCRIPTION
EXTRACTION WELL PUMP	2 / 20	414	1	1	180	1 / 20	RECEPTACLE
SPACE	-	-	2	2	180	1 / 20	HEAT TRACE
SPACE	-	-	3	3	500	1 / 20	CONTROL PANEL
SPACE	-	-	4	4	-	-	SPACE
SPACE	-	-	5	5	-	-	SPACE
SPACE	-	-	6	6	-	-	SPACE
SPACE	-	-	7	7	-	-	SPACE
SPACE	-	-	8	8	-	-	SPACE
SPACE	-	-	9	9	-	-	SPACE
SPACE	-	-	10	10	-	-	SPACE
SPACE	-	-	11	11	-	-	SPACE
SPACE	-	-	12	12	-	-	SPACE
TOTALS		414	414		180 180 500		
BUS A 594 VA		PRIMARY MAIN 20A		LINE AMPS			
BUS B 594 VA		SECONDARY MAIN 25A					
BUS C 500 VA							
TOTAL 1668 VA							

EXTRACTION WELL POWER CENTER SCHEDULE  
(TYPICAL OF 4)

- NOTES:
- REPLACE EXISTING THREE PHASE STARTERS WITH APPROPRIATE SINGLE PHASE STARTERS IN OWNER FURNISHED PUMP CONTROL PANELS.
  - INSTALL RELAY (ALLEN-BRADLEY BULLETIN 700) IN OWNER FURNISHED PUMP CONTROL PANELS. WIRE AS SHOWN.
  - MOTOR STATUS, POWER ON, AND INTERLOCK SIGNALS SHALL BE ROUTED TO TREATMENT PLANT AND TERMINATED IN I/O RACK. REFER TO CIC AUTOMATION DRAWING 3371-02 FOR PUMP CONTROL PANEL TERMINATIONS. COORDINATE WITH OWNER.
  - CIRCUIT BREAKERS ADDED TO EXISTING PANELS SHALL MATCH EXISTING MANUFACTURER, TYPE, AND AIC RATING.

RECORD DRAWING  
THESE DRAWINGS HAVE BEEN REVISED TO REFLECT MAJOR CHANGES, IF ANY, WHICH OCCURRED DURING CONSTRUCTION. REVISIONS ARE BASED UPON INFORMATION FURNISHED BY CONTRACTOR.  
DATE: \_\_\_\_\_ PER: \_\_\_\_\_

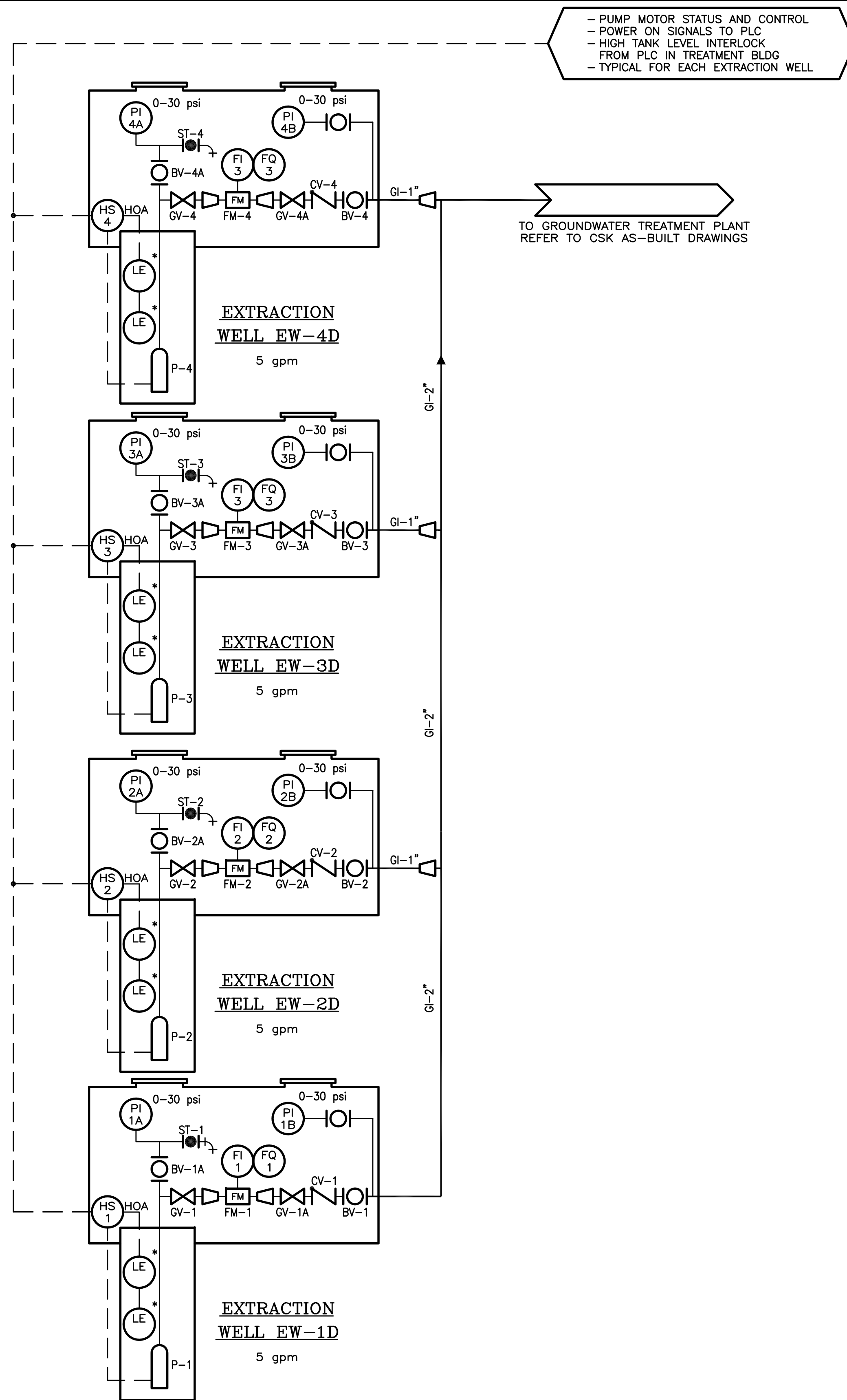
IT IS A VIOLATION OF NEW YORK STATE LAW FOR ANY PERSON, UNLESS ACTING UNDER THE DIRECTION OF A LICENSED PROFESSIONAL ENGINEER, TO ALTER AN ITEM ON THIS DRAWING IN ANY WAY. IF AN ITEM IS ALTERED, THE ALTERING ENGINEER SHALL AFFIX TO THE ITEM HIS SEAL AND THE NOTATION "ALTERED BY" FOLLOWED BY HIS SIGNATURE AND THE DATE OF SUCH ALTERATION, AND A SPECIFIC DESCRIPTION OF THE ALTERATION.

NOTICE THIS DRAWING, THE PROPERTY OF ALLIEDSIGNAL IS FURNISHED SUBJECT TO RETURN ON DEMAND AND THE CONDITION THAT THE INFORMATION AND TECHNOLOGY EMBODIED HEREIN SHALL NOT BE REPRODUCED OR USED IN WHOLE OR IN PART EXCEPT AS PREVIOUSLY AUTHORIZED IN WRITING. ANY PERSON WHO MAY RECEIVE OR OBSERVE THIS DESIGN WILL BE HELD STRICTLY LIABLE FOR ANY VIOLATION WHETHER WILLFUL OR NEGLIGENT.	<b>PARSONS ENGINEERING SCIENCE, INC.</b>	REV. NO. _____ APPROVED FOR SAFETY _____ DATE _____ DATE _____ DATE _____ DATE _____ DATE _____	NO. _____ REVISION _____ BY _____ APPR. _____ APPR. _____ APPR. _____ APPR. _____ DATE _____ REFERENCE _____ DWG. NO. _____ APPROVALS _____ DATE _____ JOB NO. _____ BLDG./AREA _____ APP. NO. _____ SCALE _____	1 RECORD DRAWING 0 ISSUED FOR CONSTRUCTION	DW WL 5/11/98	EQUIP. NO. _____ INV. NO. _____	MORRISTOWN, NJ	ONE LINE DIAGRAM, INSTALLATION DETAILS AND CONTROL SCHEMATICS SCALE _____ DRAWN DATE CHK. DATE E-1 435806
		DWG FILE: P:\732980\CAD\RECORD\32980E02.DWG PLOT FACTOR: 1=1		Z:\Projects\HONEYWELL\BUFFALO COLOR\Received\2014 0211 PARSONS DWGS\extracted files\32980e02.dwg, 2/11/2014 2:46:02 PM, Adobe PDF				



SYMBOL	DESCRIPTION
BV	BALL VALVE
CS	CARBON STEEL
CV	CHECK VALVE
FI	FLOW INDICATOR
FM	FLOW METER
FQ	FLOW TOTALIZER
GI	GROUNDWATER INFLUENT
GV	GATE VALVE
HDPE	HIGH DENSITY POLYETHYLENE
HOA	HAND-OFF-AUTOMATIC
HS	HAND SWITCH
L	LIGHT (ON, OFF)
LE	LEVEL ELEMENT (LIQUID LEVEL CONTROL)
P	PUMP
PI	PRESSURE INDICATOR
ST	SAMPLE TAP

VALVE POSITION	
SYMBOL	DESCRIPTION
	NORMALLY CLOSED
	NORMALLY OPEN
	PROCESS LINE
	ELECTRICAL/INSTRUMENT SIGNAL
	AIR LINE
	GAUGE PROTECTION DIAPHRAGM
	THREE WAY VALVE
	SOLENOID VALVE
	INSTRUMENT/LIGHT IS MOUNTED LOCALLY
	INSTRUMENT IS REMOTE/CONTROL ROOM LOCATED
	LIGHT IS REMOTE/LOCATED IN CONTROL ROOM
	FLANGED GATE VALVE
	THREADED/SOCKET GATE VALVE
	FLANGED CHECK VALVE
	THREADED/SOCKET CHECK VALVE
	THREADED/SOCKET GLOBE VALVE
	FLANGED BALL VALVE
	THREADED/SOCKET BALL VALVE
	PLUG VALVE
	BUTTERFLY VALVE
	CONCENTRIC REDUCER
	FLEXIBLE COUPLING
	THREADED UNION CONNECTION



### RECORD DRAWING

THESE DRAWINGS HAVE BEEN REVISED TO REFLECT MAJOR CHANGES, IF ANY, WHICH OCCURRED DURING CONSTRUCTION. REVISIONS ARE BASED UPON INFORMATION FURNISHED BY CONTRACTOR.

DATE: \_\_\_\_\_ PER: \_\_\_\_\_

NOTE:  
IT IS A VIOLATION OF NEW YORK STATE LAW FOR ANY PERSON, UNLESS ACTING UNDER THE DIRECTION OF A LICENSED PROFESSIONAL ENGINEER, TO ALTER AN ITEM ON THIS DRAWING IN ANY WAY. IF AN ITEM IS ALTERED, THE ALTERING ENGINEER SHALL AFFIX TO THE ITEM HIS SEAL AND THE NOTATION "ALTERED BY" FOLLOWED BY HIS SIGNATURE AND THE DATE OF SUCH ALTERATION, AND A SPECIFIC DESCRIPTION OF THE ALTERATION.

DWG FILE: P:\732980\CAD\RECORD\32980i01.DWG PLOT FACTOR: 1=1

NOTICE  
THIS DRAWING, THE PROPERTY OF ALLIEDSIGNAL IS FURNISHED SUBJECT TO RETURN ON DEMAND AND THE CONDITION THAT THE INFORMATION AND TECHNOLOGY EMBODIED HEREIN SHALL NOT BE DISCLOSED OR USED AND THE DRAWING SHALL NOT BE REPRODUCED OR COPIED IN WHOLE OR IN PART EXCEPT AS PREVIOUSLY AUTHORIZED IN WRITING. ANY PERSON WHO MAY RECEIVE OR OBSERVE THIS DESIGN WILL BE HELD STRICTLY LIABLE FOR ANY VIOLATION WHETHER WILLFUL OR NEGLIGENT.

**PARSONS  
ENGINEERING  
SCIENCE, INC.**

REV. NO.	APPROVED FOR SAFETY
	DATE _____
	DATE _____
	DATE _____
	DATE _____
	DATE _____

NO.	REVISION	BY	APPR.	APPR.	APPR.	APPR.	DATE
1	RECORD DRAWING						
0	ISSUED FOR CONSTRUCTION	EWM					5/11/98

REFERENCE	DWG. NO.	APPROVALS	DATE

JOB NO. _____
BLDG/AREA _____
APP. NO. _____
SCALE _____
EQUIP. NO. _____
INV. NO. _____

PROCESS AND INSTRUMENTATION  
LEGEND AND DIAGRAM



DRAWN	DATE	CHK.	DATE

MORRISTOWN, NJ 1-1 435807